

Latest Innovations

Innovative solutions developed
across all areas of technology.

Spare Part Catalog

Drum Detacher-C

SE-DDC-25/40
SE-DDC-30/45
SE-DDC-32/55

Technological Advantages

Across All Markets and Sectors

SE-DDC DRUM DETACHER-C - SPARE PARTS APPLICATION OVERVIEW

The spare parts for the SE-DDC Drum Detacher-C are specifically designed to ensure efficient detaching performance, consistent particle loosening, and reliable operation throughout the milling process. Each component, including rotors, beaters, shafts, drive elements, housings, and bearing units, is precisely manufactured to support uniform material flow and stable detaching efficiency. Produced from high-grade steel, wear-resistant materials, and long-life bearings, these spare parts reduce mechanical wear, minimize unplanned downtime, and extend equipment service life. Sediroglu Group original spare parts are fully compatible with all Drum Detacher-C configurations, ensuring hygienic operation, process stability, and compliance with modern milling standards.

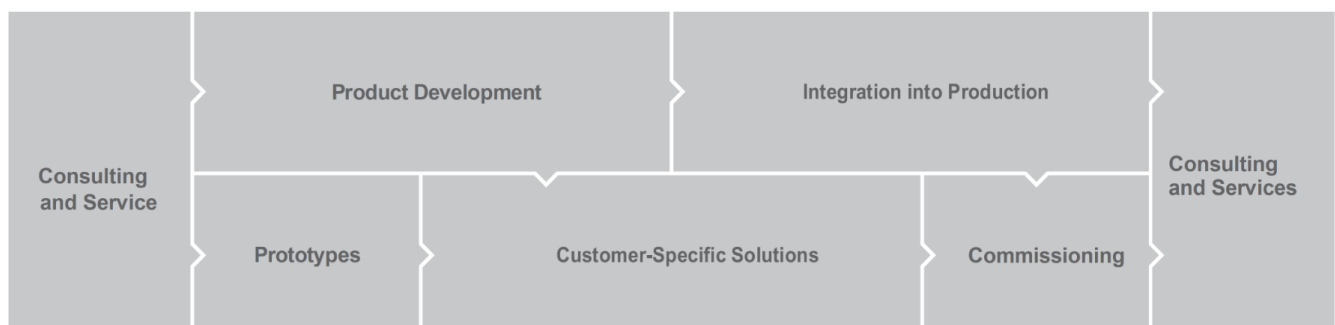
FEATURES & ADVANTAGES – SPARE PARTS

- ▶ Manufactured from high-grade steel and wear-resistant materials for long service life
- ▶ Ensures efficient detaching and uniform particle loosening performance
- ▶ Reduces mechanical wear and unplanned maintenance downtime
- ▶ Fully compatible with all SE-DDC Drum Detacher-C models
- ▶ Maintains stable operation under continuous milling conditions
- ▶ Supports consistent material flow and downstream process stability
- ▶ Easy installation, inspection, and replacement
- ▶ Improves overall machine reliability and operational efficiency

INSTALLATION & OPERATION GUIDELINES – SPARE PARTS

When replacing SE-DDC Drum Detacher-C spare parts, follow these key steps:

- ▶ Use genuine Sediroglu Group spare parts only
- ▶ Verify compatibility with the Drum Detacher-C model and configuration
- ▶ Switch off and secure the machine before any replacement
- ▶ Wear appropriate safety equipment during handling
- ▶ Ensure correct alignment of rotors, shafts, and drive components
- ▶ Tighten all fasteners according to technical specifications
- ▶ Keep the installation area clean and free from foreign materials

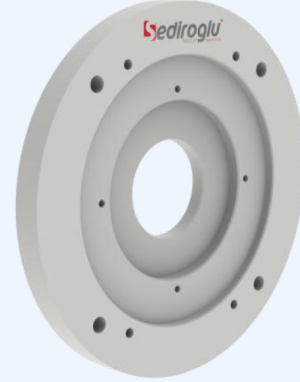


All Spare Parts List

Product Code: SE-DDC-YDK-400



Product Code: SE-DDC-YDK-401



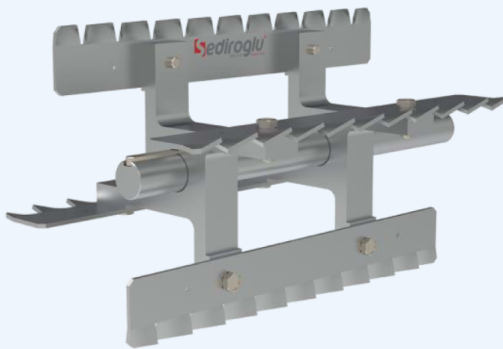
Product Code: SE-DDC-YDK-402



Product Code: SE-DDC-YDK-403



Product Code: SE-DDC-YDK-404



Product Code: SE-DDC-YDK-405



All Spare Parts List

Product Code: SE-DDC-YDK-406



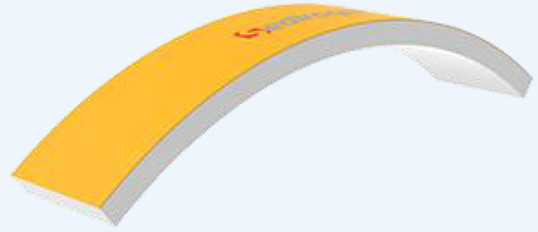
Product Code: SE-DDC-YDK-407



Product Code: SE-DDC-YDK-408



Product Code: SE-DDC-YDK-409



Product Code: SE-DDC-YDK-410



SEDIROGLU GROUP DELIVERS COMPLETE SOLUTIONS ACROSS VARIOUS INDUSTRIES, COMBINING DEEP TECHNICAL EXPERTISE WITH A DIVERSE AND EXTENSIVE PRODUCT RANGE TO MEET A WIDE SPECTRUM OF CUSTOMER NEEDS.

FACING A DEVELOPMENT CHALLENGE? WE PROVIDE THE SOLUTION.
AT SEDIROGLU GROUP, OUR EXPERIENCED R&D TEAM IS COMMITTED TO CONTINUOUS IMPROVEMENT.
MANY INDUSTRY INNOVATIONS HAVE ORIGINATED FROM OUR COMPANY.
WE ARE DRIVEN BY A FORWARD-THINKING MINDSET AND A PIONEERING SPIRIT IN EVERY STEP WE TAKE.

CONTACT – WORLDWIDE

With 12 branches around the world and marketing teams in over 70 countries, we provide you with outstanding service worthy of a technology leader.

We look forward to hearing from you!

<https://sedirolugroup.com/contact>



AT YOUR SERVICE 24/7 – OUR VIRTUAL BOOTH

With impressive features like animated shots, clickable hotspots, and rotatable 3D models, we are confident our online presentations will truly impress you.

<https://sedirolugroup.com/spare-parts>



DISCOVER MORE ABOUT THIS PRODUCT

Scan the QR code to access detailed technical specifications, application insights, high-quality visuals, and interactive digital content related to this product.

<https://sedirolugroup.com/spare-parts/drum-detacher-c-spare-parts>



HEAD OFFICE:
SEDIROGLU GROUP
Turkey, Çorum
T +90 541 620 03 22
E Mail : info@sedirolu.com

www.sedirolugroup.com

Sedirolu
GROUP machine