



Latest Innovations

Innovative solutions developed
across all areas of technology.

Product Catalogue

Control Mono Sifter

SE-CS 85/6
SE-CS 85/8
SE-CS 120/6
SE-CS 120/8

Technological Advantages

Across All Markets and Sectors

SE-CS CONTROL MONO SIFTER - APPLICATION OVERVIEW

The Control Mono Sifter is designed for accurate and reliable sifting of flour, semolina, and granular products in modern milling and food processing lines. It is widely used in wheat flour mills, semolina factories, pasta flour mills, corn flour mills, whole wheat flour mills, rusk (galeta) flour mills, and starch production plants, where precise particle separation and product safety are essential. Its compact mono-body structure allows efficient screening while ensuring consistent product quality throughout the process.

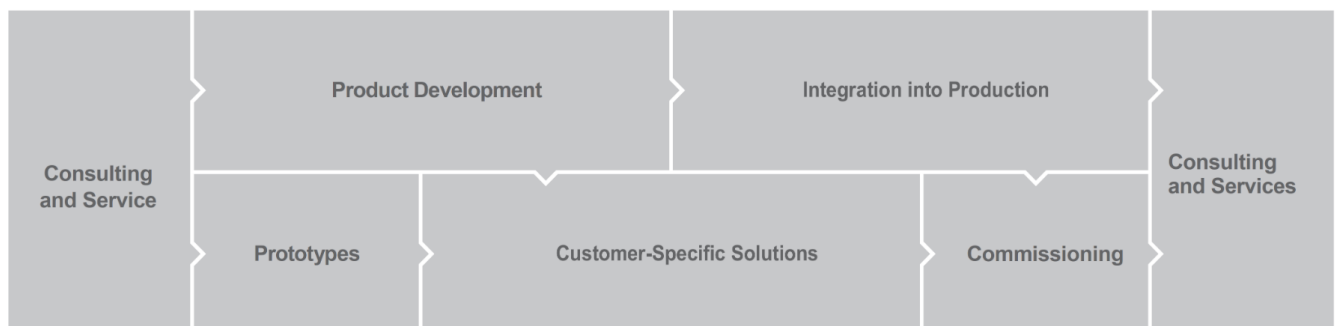
Engineered for continuous and stable operation, the Control Mono Sifter provides uniform sifting performance with high screening efficiency and minimal product loss. The optimized sieve frame and balanced drive system ensure smooth material flow, reduced vibration, and low energy consumption. Designed for easy integration into existing production layouts, the Control Mono Sifter supports hygienic processing, operational reliability, and improved overall plant efficiency.

FEATURES & ADVANTAGES

- ▶ Accurate and consistent sifting for flour and semolina products
- ▶ High screening efficiency with minimal product loss
- ▶ Compact mono-body design for space-saving installation
- ▶ Balanced drive system ensuring smooth and low-vibration operation
- ▶ Stable performance under continuous operating conditions
- ▶ Hygienic design suitable for food-grade processing environments
- ▶ Easy access for sieve inspection and cleaning
- ▶ Low maintenance requirements and long service life

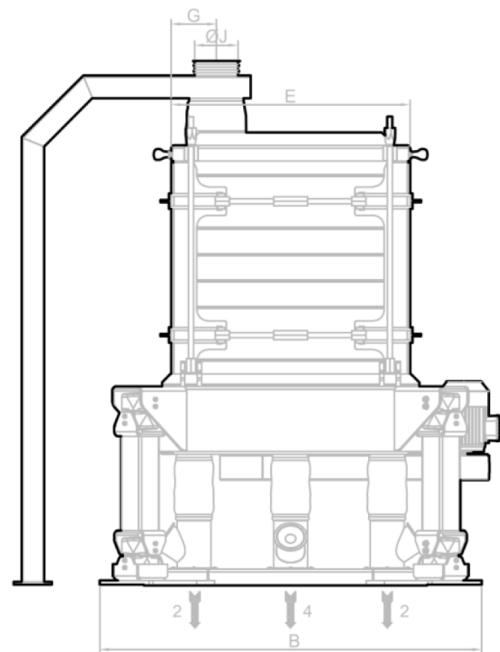
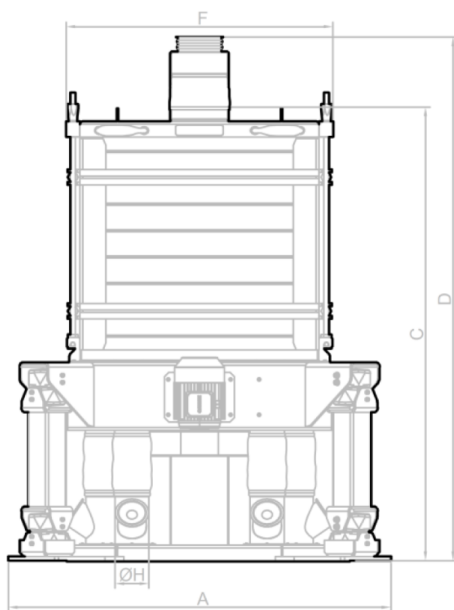
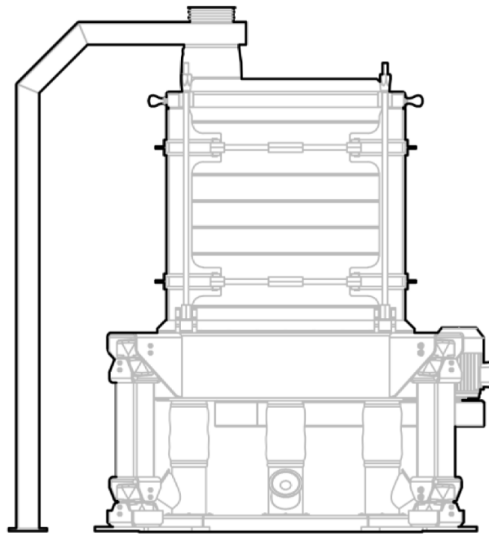
APPLICATION FIELDS

- ▶ Wheat flour mills
- ▶ Whole wheat flour milling plants
- ▶ Semolina (durum wheat) production lines
- ▶ Pasta flour production facilities
- ▶ Corn flour milling plants
- ▶ Rusk (galeta) flour mills
- ▶ Starch production plants
- ▶ Milling, sifting, and quality control sections



Technical Table

Control Mono Sifter



MODEL MODELE	DIMENSIONS mm.									TECHNICAL FEATURES CARACTERISTIQUES TECHNIQUES										
	A	B	C	D	E	F	G	ØH	ØJ	Motor Moteur Kw	Eccentr. Eccentr. (mm)	Net area/ fr. Surface bul. (m ²)	Opening of mesh Ouverture de maille (micron)	Capacity Capacité t/h	Weights - Poids Kg		Volume sous Gross volume emballage m ³			
															Net	Gross-Brut				
SE-CS 85/6	1271	1271	1380	1645	942	942	268	120	150	1.1	55	1.92	300	3	710	892	3.8			
SE-CS 85/8			1560	1825								2.56		4	730	923	4.2			
SE-CS 120/6	1713	1713	1459	1724	1320	1320	266	150				1.5			5.7		8	960	1243	6.6
SE-CS 120/8			1639	1904											7.6		12	1010	1297	7.3

SEDIROGLU GROUP DELIVERS COMPLETE SOLUTIONS ACROSS VARIOUS INDUSTRIES, COMBINING DEEP TECHNICAL EXPERTISE WITH A DIVERSE AND EXTENSIVE PRODUCT RANGE TO MEET A WIDE SPECTRUM OF CUSTOMER NEEDS.

FACING A DEVELOPMENT CHALLENGE? WE PROVIDE THE SOLUTION.
AT SEDIROGLU GROUP, OUR EXPERIENCED R&D TEAM IS COMMITTED TO CONTINUOUS IMPROVEMENT.
MANY INDUSTRY INNOVATIONS HAVE ORIGINATED FROM OUR COMPANY.
WE ARE DRIVEN BY A FORWARD-THINKING MINDSET AND A PIONEERING SPIRIT IN EVERY STEP WE TAKE.

CONTACT – WORLDWIDE

With 12 branches around the world and marketing teams in over 70 countries, we provide you with outstanding service worthy of a technology leader.

We look forward to hearing from you!

<https://sediroglugroup.com/contact>



AT YOUR SERVICE 24/7 – OUR VIRTUAL BOOTH

With impressive features like animated shots, clickable hotspots, and rotatable 3D models, we are confident our online presentations will truly impress you.

<https://sediroglugroup.com/products>



DISCOVER MORE ABOUT THIS PRODUCT

Scan the QR code to access detailed technical specifications, application insights, high-quality visuals, and interactive digital content related to this product.

<https://sediroglugroup.com/products/control-mono-sifter>



HEAD OFFICE:
SEDIROGLU GROUP
Turkey, Çorum
T +90 541 620 03 22
E Mail : info@sediroglu.com
E Mail : info@sediroglugroup.com

www.sediroglugroup.com

Sediroglu
GROUP machine