

## Latest Innovations

Innovative solutions developed across all areas of technology.

Product Catalogue

Tubular Screw Conveyor

SE-TS-100  
SE-TS-150  
SE-TS-200  
SE-TS-250  
SE-TS-300  
SE-TS-350  
SE-TS-400  
SE-TS-450  
SE-TS-500

# Technological Advantages

## Across All Markets and Sectors

### SE-TS TUBULAR SCREW CONVEYOR - APPLICATION OVERVIEW

The SE-TS Tubular Screw Conveyor is designed for the efficient, controlled, and enclosed conveying of bulk materials across various stages of industrial processing lines. It is widely used in flour mills, semolina plants, grain processing facilities, feed factories, starch and sugar plants, and food production lines where hygienic material handling and consistent flow are essential. The tubular structure ensures dust-free transport while protecting the conveyed material from external contamination throughout the process.

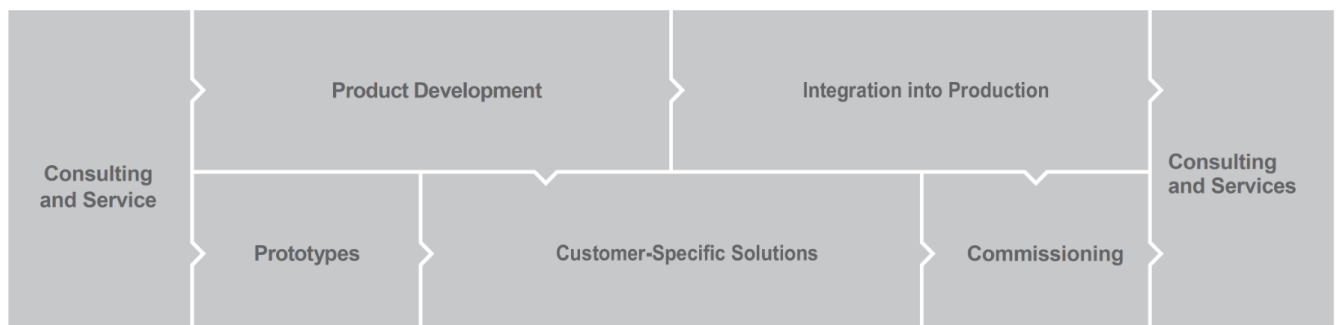
Engineered for continuous and reliable operation, the SE-TS Tubular Screw Conveyor provides stable material transfer with uniform capacity and minimal product loss. Its robust screw and housing design allow smooth conveying of powders and granulated products with low energy consumption and reduced wear. Designed for flexible horizontal or inclined installation, the system integrates easily into existing production layouts, supporting improved process efficiency, operational safety, and overall plant performance.

#### FEATURES & ADVANTAGES

- ▶ Enclosed tubular design for clean and dust-free material conveying
- ▶ Uniform and controlled material flow with stable conveying capacity
- ▶ Suitable for horizontal and inclined conveying applications
- ▶ Robust screw and housing structure for continuous operation
- ▶ Low energy consumption with reduced mechanical wear
- ▶ Hygienic construction suitable for food-grade processing environments
- ▶ Easy integration into existing production lines
- ▶ Low maintenance requirements and long service life

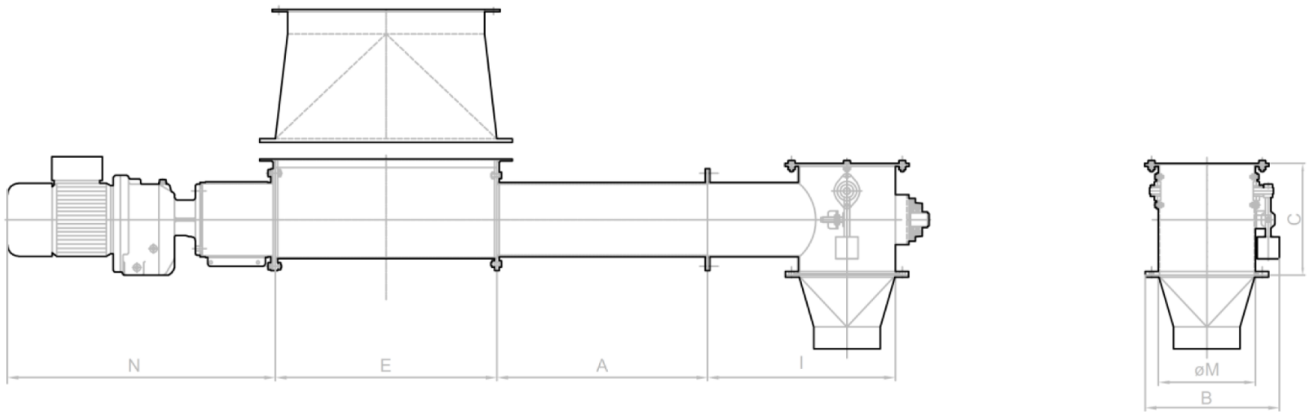
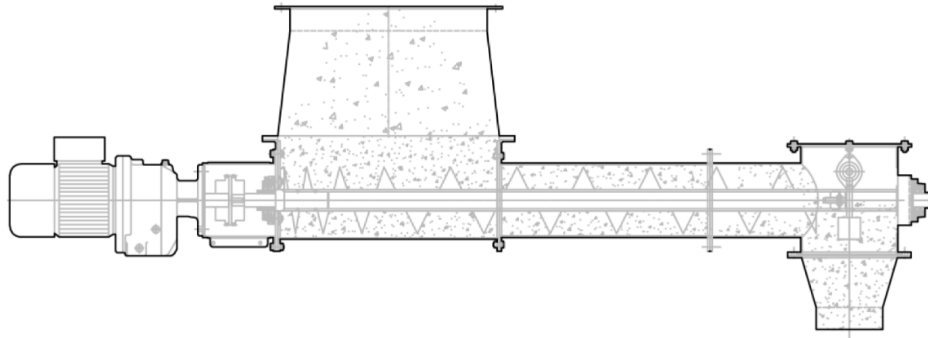
#### APPLICATION FIELDS

- ▶ Wheat flour mills
- ▶ Whole wheat flour processing plants
- ▶ Semolina (durum wheat) production lines
- ▶ Pasta and food production factories
- ▶ Corn flour milling plants
- ▶ Feed and grain handling facilities
- ▶ Starch, sugar, and powder processing plants
- ▶ Flour milling, conveying, and packaging sections



# Technical Table

Tubular Screw Conveyor



MODEL MODELE	DIMENSIONS mm.							TECHNICAL FEATURES CARACTERISTIQUES TECHNIQUES		
	Module lenght mm Longueur de module A	B	C	N	E	øM	I	Capacity t/h		Capacité t/h
								Wheat Blé	Flour Farine	Bran Son
SE-TS-100	500, 750 1100, 1300 1500, 1700 1900, 2100	204	205	1000	500 800 1000	156	290	19,37	13,76	7,64
SE-TS-150		254	255			170	290	19,37	13,76	7,64
SE-TS-200		304	305			220	320	34,56	24,55	13,64
SE-TS-250		364	355			270	370	53,90	38,29	21,27
SE-TS-300		414	405			320	420	77,47	55,04	30,58
SE-TS-350		468	455			370	470	106,43	75,62	42,01
SE-TS-400		525	505			420	520	138,23	98,22	54,57
SE-TS-450		582	555			470	570	176,26	125,23	69,57
SE-TS-500		639	605			520	620	217,60	154,61	85,89

# SEDIROGLU GROUP DELIVERS COMPLETE SOLUTIONS ACROSS VARIOUS INDUSTRIES, COMBINING DEEP TECHNICAL EXPERTISE WITH A DIVERSE AND EXTENSIVE PRODUCT RANGE TO MEET A WIDE SPECTRUM OF CUSTOMER NEEDS.

FACING A DEVELOPMENT CHALLENGE? WE PROVIDE THE SOLUTION.  
AT SEDIROGLU GROUP, OUR EXPERIENCED R&D TEAM IS COMMITTED TO CONTINUOUS IMPROVEMENT.  
MANY INDUSTRY INNOVATIONS HAVE ORIGINATED FROM OUR COMPANY.  
WE ARE DRIVEN BY A FORWARD-THINKING MINDSET AND A PIONEERING SPIRIT IN EVERY STEP WE TAKE.

## CONTACT – WORLDWIDE

With 12 branches around the world and marketing teams in over 70 countries, we provide you with outstanding service worthy of a technology leader.

We look forward to hearing from you!

<https://sedirolugroup.com/contact>



## AT YOUR SERVICE 24/7 – OUR VIRTUAL BOOTH

With impressive features like animated shots, clickable hotspots, and rotatable 3D models, we are confident our online presentations will truly impress you.

<https://sedirolugroup.com/products>



## DISCOVER MORE ABOUT THIS PRODUCT

Scan the QR code to access detailed technical specifications, application insights, high-quality visuals, and interactive digital content related to this product.

<https://sedirolugroup.com/products/tubular-screw-conveyor>



HEAD OFFICE:  
**SEDIROGLU GROUP**  
Turkey, Çorum  
T +90 541 620 03 22  
E Mail : [info@sedirolu.com](mailto:info@sedirolu.com)  
E Mail : [info@sedirolugroup.com](mailto:info@sedirolugroup.com)

[www.sedirolugroup.com](http://www.sedirolugroup.com)

**Sedirolu**  
GROUP machine