

## Latest Innovations

Innovative solutions developed across all areas of technology.

Product Catalogue

Intensive Dampener

SE-DWTR-32/50  
SE-DWTR-32/100

# Technological Advantages

## Across All Markets and Sectors

### SE-DWTR INTENSIVE DAMPENER - APPLICATION OVERVIEW

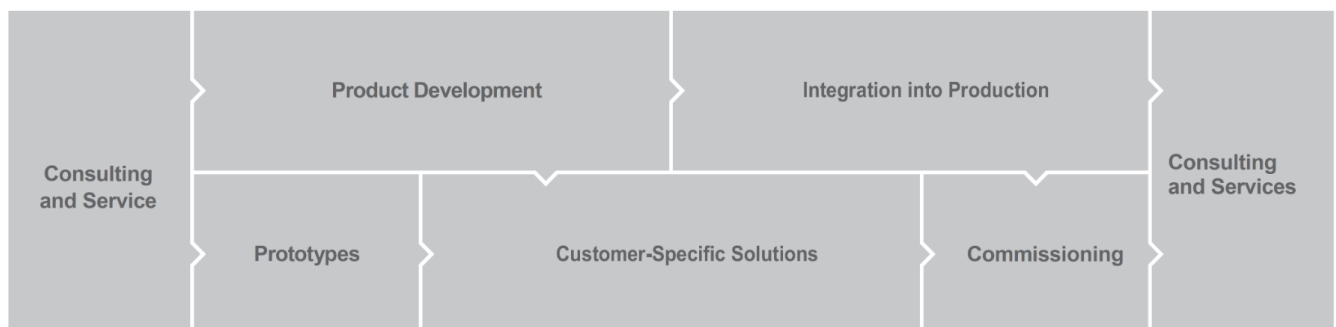
The Horizontal Intensive Dampener is a high-performance conditioning unit designed to precisely regulate moisture addition to wheat before milling. Its horizontal configuration allows the grain to move evenly through the chamber, ensuring thorough interaction with water and consistent hydration throughout the process. Equipped with an efficient rotor system and accurately positioned spray nozzles, the machine promotes rapid and uniform moisture penetration into each kernel. Engineered for continuous and hygienic operation, it delivers reliable capacity, low mechanical stress, and reduced maintenance needs, making it a dependable solution for modern flour and Semolina milling facilities.

#### FEATURES & ADVANTAGES

- ▶ Homogeneous and controlled water application
- ▶ Straight structure for even hydration
- ▶ Improved moisture absorption efficiency
- ▶ Enhanced milling performance and yield
- ▶ Energy-efficient operation
- ▶ Low maintenance design
- ▶ Stainless steel contact surfaces for hygiene
- ▶ Compact structure with high capacity output

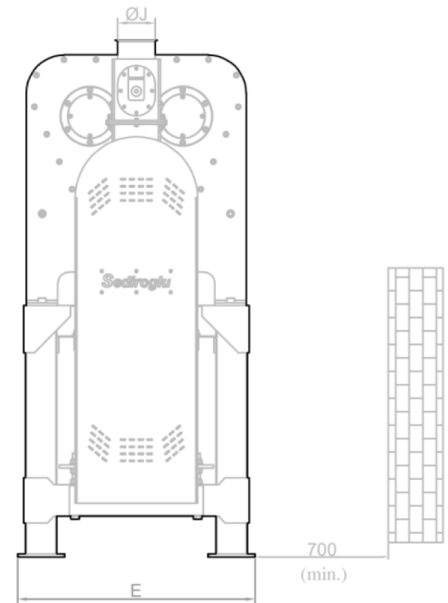
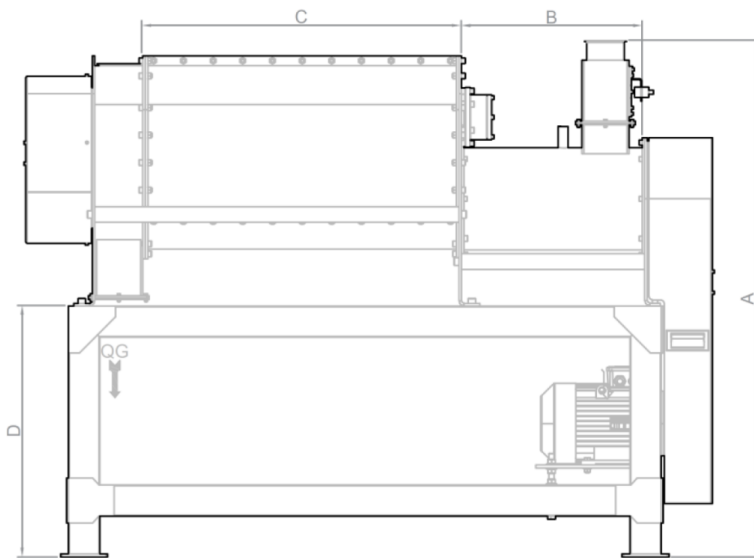
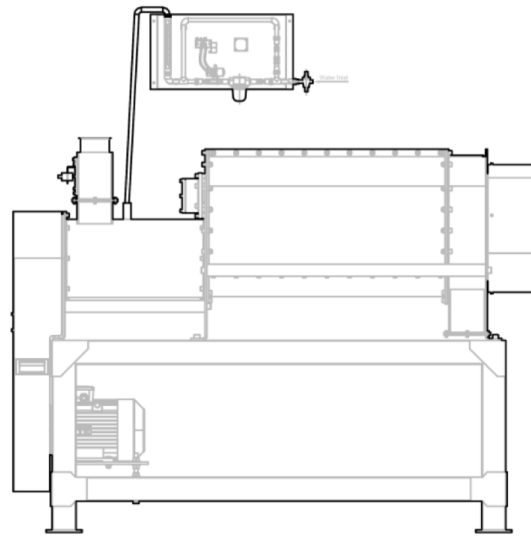
#### APPLICATION FIELDS

- ▶ Grain processing plants
- ▶ Flour mills
- ▶ Barley processing facilities
- ▶ Corn flour factories
- ▶ Food production plants
- ▶ Pasta Factory
- ▶ Biscuit Factory
- ▶ Cereal cleaning and conditioning units



# Technical Table

Intensive Dampener



MODEL MODELE	DIMENSIONS mm.									TECHNICAL FEATURES CARACTERISTIQUES TECHNIQUES			
	A	B	C	D	E	QJ	QG	Capacity Capacité t/h	Flow Meter Lt/sa Lt/h	Motor Moteur Kw	Weights - Poids Kg		Gross volume Volume sous emballage m³
											Net	Gross-Brut	
SE-DWTR-32/50	1640	584	520	800	756	120	120	6 - 8	500	7.5	390	550	1.6
SE-DWTR-32/100	1640	584	1016	800	756	150	150	12 - 18	600	11	600	861	2.4

# SEDIROGLU GROUP DELIVERS COMPLETE SOLUTIONS ACROSS VARIOUS INDUSTRIES, COMBINING DEEP TECHNICAL EXPERTISE WITH A DIVERSE AND EXTENSIVE PRODUCT RANGE TO MEET A WIDE SPECTRUM OF CUSTOMER NEEDS.

FACING A DEVELOPMENT CHALLENGE? WE PROVIDE THE SOLUTION.  
AT SEDIROGLU GROUP, OUR EXPERIENCED R&D TEAM IS COMMITTED TO CONTINUOUS IMPROVEMENT.  
MANY INDUSTRY INNOVATIONS HAVE ORIGINATED FROM OUR COMPANY.  
WE ARE DRIVEN BY A FORWARD-THINKING MINDSET AND A PIONEERING SPIRIT IN EVERY STEP WE TAKE.

## CONTACT – WORLDWIDE

With 12 branches around the world and marketing teams in over 70 countries, we provide you with outstanding service worthy of a technology leader.

We look forward to hearing from you!

<https://sedirolugroup.com/contact>



## AT YOUR SERVICE 24/7 – OUR VIRTUAL BOOTH

With impressive features like animated shots, clickable hotspots, and rotatable 3D models, we are confident our online presentations will truly impress you.

<https://sedirolugroup.com/products>



## DISCOVER MORE ABOUT THIS PRODUCT

Scan the QR code to access detailed technical specifications, application insights, high-quality visuals, and interactive digital content related to this product.

<https://sedirolugroup.com/products/horizontal-intensive-dampener>



HEAD OFFICE:  
**SEDIROGLU GROUP**  
Turkey, Çorum  
T +90 541 620 03 22  
E Mail : [info@sedirolu.com](mailto:info@sedirolu.com)  
E Mail : [info@sedirolugroup.com](mailto:info@sedirolugroup.com)

[www.sedirolugroup.com](http://www.sedirolugroup.com)

**Sedirolu**  
GROUP machine