

Latest Innovations

Innovative solutions developed
across all areas of technology.

Spare Part Catalog

Horizontal Intensive Dampener

SE-DWTB-27/200
SE-DWTB-30/100
SE-DWTB-30/200
SE-DWTB-43/200
SE-DWTB-46/200

Technological Advantages

Across All Markets and Sectors

SE-DWTB HORIZONTAL INTENSIVE DAMPENER - SPARE PARTS APPLICATION OVERVIEW

The spare parts for the Horizontal Intensive Dampener are specifically developed to deliver stable operation, accurate moisture distribution, and dependable performance throughout the wheat conditioning process. Every element, including housings, rotors, drive components, and bearing units, is precisely manufactured to support uniform water dosing and steady material flow. Produced from high-grade steel, wear-resistant rubber, and long-life bearings, these components help reduce mechanical stress, limit unplanned maintenance, and improve operational efficiency. Sedirolu Group spare parts are fully compatible with all Horizontal Intensive Dampener configurations, ensuring a reliable, hygienic, and standards-compliant milling process.

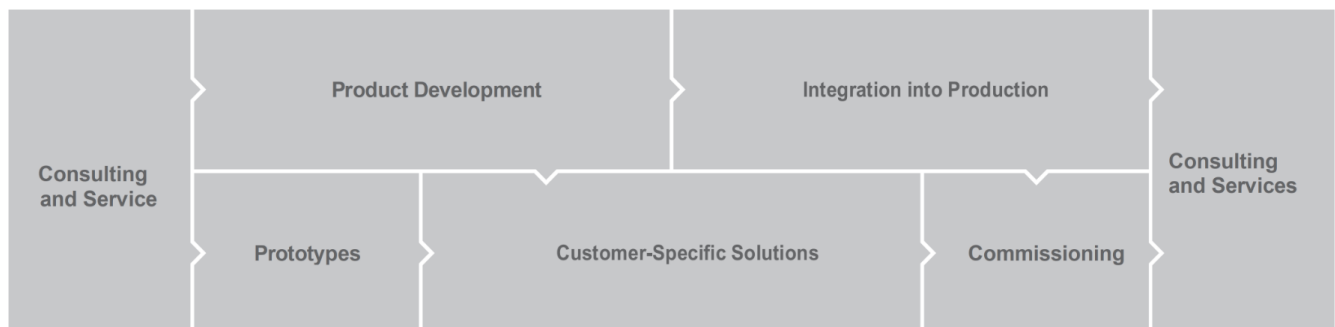
FEATURES & ADVANTAGES – SPARE PARTS

- ▶ High-quality materials for long-term durability (reinforced steel, bearings)
- ▶ Ensures smooth and precise operation of the Inclined Intensive Dampener
- ▶ Reduces maintenance downtime and operational costs
- ▶ Compatible with all Inclined Intensive Dampener models
- ▶ Maintains consistent water application and grain conditioning
- ▶ Enhances overall machine performance and productivity
- ▶ Easy installation and replacement

INSTALLATION & OPERATION GUIDELINES – SPARE PARTS

When replacing Inclined Intensive Dampener spare parts, follow these key steps:

- ▶ Use genuine Sedirolu Group parts only
- ▶ Confirm compatibility with your machine model
- ▶ Power off the machine before any replacement
- ▶ Wear safety equipment during handling
- ▶ Align and tension all moving parts properly
- ▶ Ensure the installation area is clean



All Spare Parts List

Product Code: SE-YDK-A0100



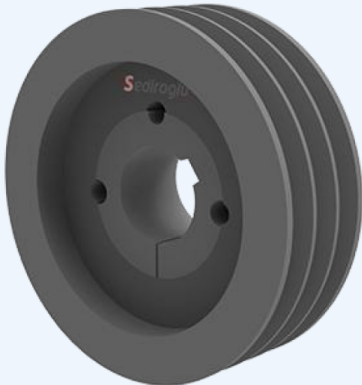
Product Code: SE-YDK-A0101



Product Code: SE-YDK-A0102



Product Code: SE-YDK-A0103



Product Code: SE-YDK-A0104



Product Code: SE-YDK-A0105

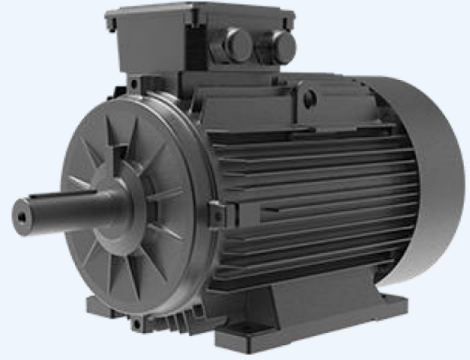


All Spare Parts List

Product Code: SE-YDK-A0106



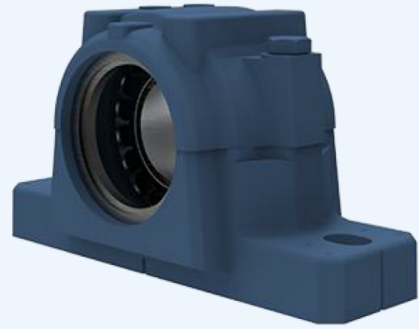
Product Code: SE-YDK-A0107



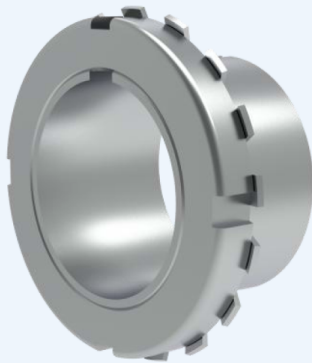
Product Code: SE-YDK-A0108



Product Code: SE-YDK-A0109



Product Code: SE-YDK-A0110



SEDIROGLU GROUP DELIVERS COMPLETE SOLUTIONS ACROSS VARIOUS INDUSTRIES, COMBINING DEEP TECHNICAL EXPERTISE WITH A DIVERSE AND EXTENSIVE PRODUCT RANGE TO MEET A WIDE SPECTRUM OF CUSTOMER NEEDS.

FACING A DEVELOPMENT CHALLENGE? WE PROVIDE THE SOLUTION.
AT SEDIROGLU GROUP, OUR EXPERIENCED R&D TEAM IS COMMITTED TO CONTINUOUS IMPROVEMENT.
MANY INDUSTRY INNOVATIONS HAVE ORIGINATED FROM OUR COMPANY.
WE ARE DRIVEN BY A FORWARD-THINKING MINDSET AND A PIONEERING SPIRIT IN EVERY STEP WE TAKE.

CONTACT – WORLDWIDE

With 12 branches around the world and marketing teams in over 70 countries, we provide you with outstanding service worthy of a technology leader.

We look forward to hearing from you!

<https://sedirolugroup.com/contact>



AT YOUR SERVICE 24/7 – OUR VIRTUAL BOOTH

With impressive features like animated shots, clickable hotspots, and rotatable 3D models, we are confident our online presentations will truly impress you.

<https://sedirolugroup.com/spare-parts>



DISCOVER MORE ABOUT THIS PRODUCT

Scan the QR code to access detailed technical specifications, application insights, high-quality visuals, and interactive digital content related to this product.

<https://sedirolugroup.com/spare-parts/horizontal-intensive-dampener-spare-parts>



HEAD OFFICE:
SEDIROGLU GROUP
Turkey, Çorum
T +90 541 620 03 22
E Mail : info@sedirolu.com

www.sedirolugroup.com

Sedirolu
GROUP machine