

Latest Innovations

Innovative solutions developed across all areas of technology.

Spare Part Catalog

Inclined Intensive Dampener

SE-DT-250
SE-DT-350
SE-DT-500
SE-DT-600
SE-DT-700

Technological Advantages

Across All Markets and Sectors

SE-DT INCLINED INTENSIVE DAMPENER - SPARE PARTS APPLICATION OVERVIEW

The spare parts for the Inclined Intensive Dampener are designed to ensure smooth operation, optimal wheat conditioning, and long-term machine reliability. Each component, from control covers and rotors to pulleys and bearings, is engineered to maintain precise water application and consistent grain flow. Using high-quality materials such as reinforced steel, rubber, and durable bearings, these parts minimize wear, reduce maintenance downtime, and enhance overall performance. Sedirolu Group's spare parts guarantee compatibility with all Inclined Intensive Dampener models, ensuring your milling process remains efficient, safe, and compliant with food industry standards.

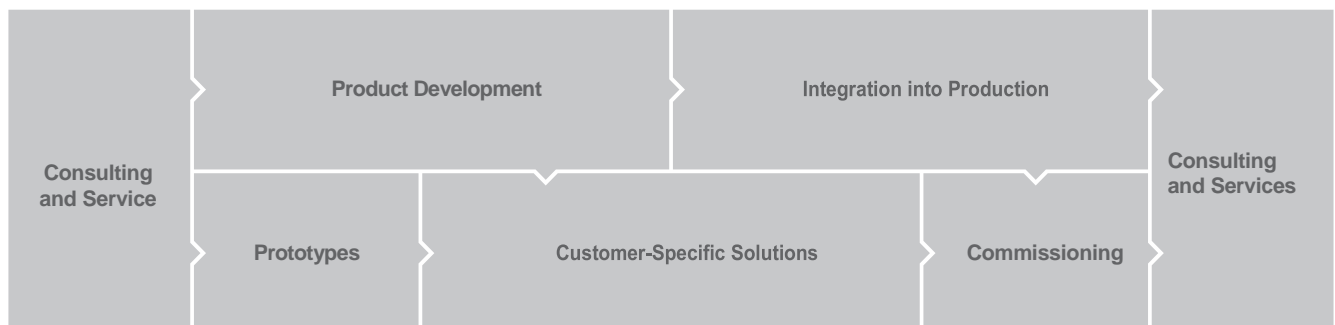
FEATURES & ADVANTAGES – SPARE PARTS

- ▶ High-quality materials for long-term durability (reinforced steel, bearings)
- ▶ Ensures smooth and precise operation of the Inclined Intensive Dampener
- ▶ Reduces maintenance downtime and operational costs
- ▶ Compatible with all Inclined Intensive Dampener models
- ▶ Maintains consistent water application and grain conditioning
- ▶ Enhances overall machine performance and productivity
- ▶ Easy installation and replacement

INSTALLATION & OPERATION GUIDELINES – SPARE PARTS

When replacing Inclined Intensive Dampener spare parts, follow these key steps:

- ▶ Use genuine Sedirolu Group parts only
- ▶ Confirm compatibility with your machine model
- ▶ Power off the machine before any replacement
- ▶ Wear safety equipment during handling
- ▶ Align and tension all moving parts properly
- ▶ Ensure the installation area is clean

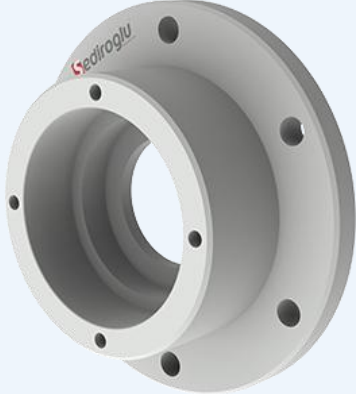


All Spare Parts List

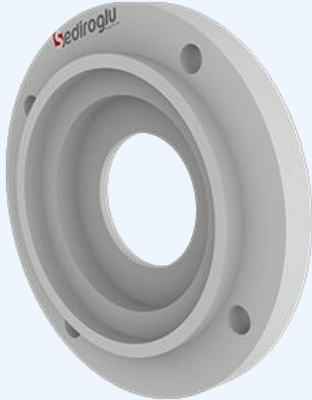
Product Code: SE-YDK-A1001



Product Code: SE-YDK-A1002



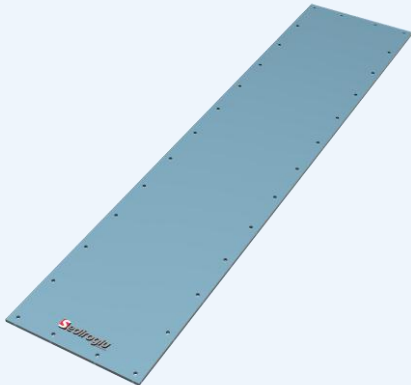
Product Code: SE-YDK-A1003



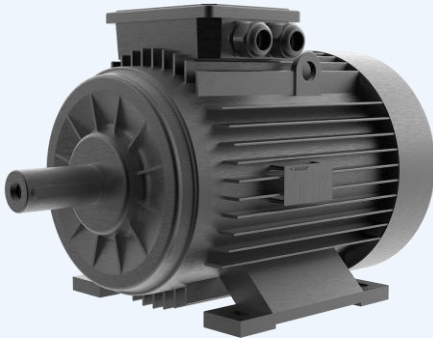
Product Code: SE-YDK-A1004



Product Code: SE-YDK-A1005

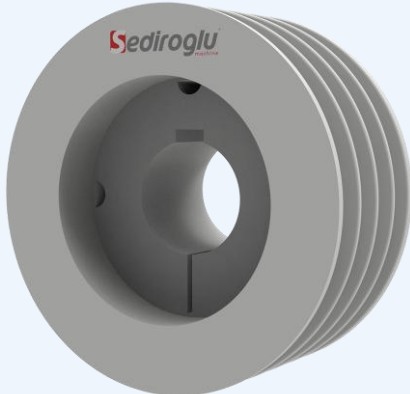


Product Code: SE-YDK-A1006

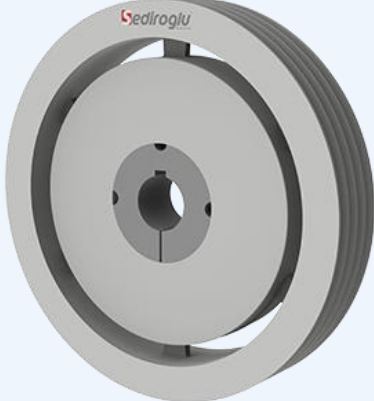


All Spare Parts List

Product Code: SE-YDK-A1007



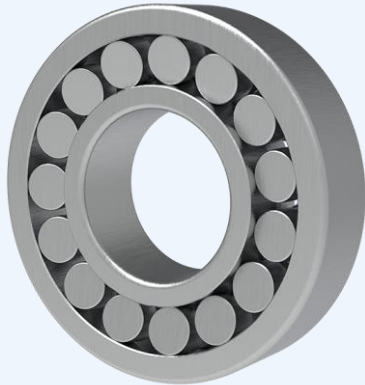
Product Code: SE-YDK-A1008



Product Code: SE-YDK-A1009



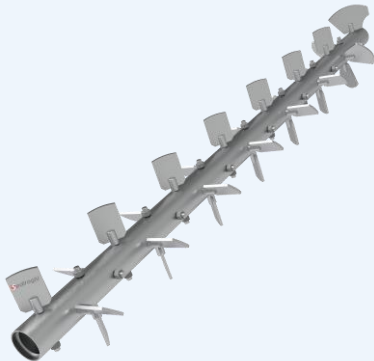
Product Code: SE-YDK-A1010



Product Code: SE-YDK-A1011

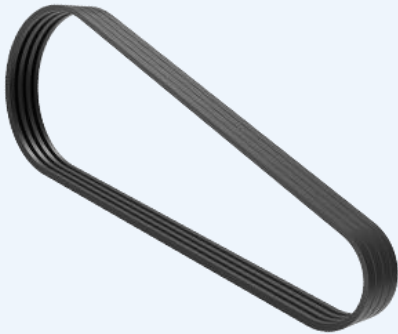


Product Code: SE-YDK-A1012



All Spare Parts List

Product Code: SE-YDK-A1013



Product Code: SE-YDK-A1014



Product Code: SE-YDK-A1015



Product Code: SE-YDK-A1016



SEDIROGLU GROUP DELIVERS COMPLETE SOLUTIONS ACROSS VARIOUS INDUSTRIES, COMBINING DEEP TECHNICAL EXPERTISE WITH A DIVERSE AND EXTENSIVE PRODUCT RANGE TO MEET A WIDE SPECTRUM OF CUSTOMER NEEDS.

FACING A DEVELOPMENT CHALLENGE? WE PROVIDE THE SOLUTION.
AT SEDIROGLU GROUP, OUR EXPERIENCED R&D TEAM IS COMMITTED TO CONTINUOUS IMPROVEMENT.
MANY INDUSTRY INNOVATIONS HAVE ORIGINATED FROM OUR COMPANY.
WE ARE DRIVEN BY A FORWARD-THINKING MINDSET AND A PIONEERING SPIRIT IN EVERY STEP WE TAKE.

CONTACT – WORLDWIDE

With 12 branches around the world and marketing teams in over 70 countries, we provide you with outstanding service worthy of a technology leader.

We look forward to hearing from you!

<https://sedirolugroup.com/contact>



AT YOUR SERVICE 24/7 – OUR VIRTUAL BOOTH

With impressive features like animated shots, clickable hotspots, and rotatable 3D models, we are confident our online presentations will truly impress you.

<https://sedirolugroup.com/spare-parts>



DISCOVER MORE ABOUT THIS PRODUCT

Scan the QR code to access detailed technical specifications, application insights, high-quality visuals, and interactive digital content related to this product.

<https://sedirolugroup.com/spare-parts/inclined-intensive-dampener-spare-parts>



HEAD OFFICE:
SEDIROGLU GROUP
Turkey, Çorum
T +90 541 620 03 22
E Mail : info@sedirolgu.com

www.sedirolugroup.com

Sedirolgu
GROUP machine