



Latest Innovations

Innovative solutions developed
across all areas of technology.

Product Catalogue

Inclined Intensive Dampener

SE-DT-250
SE-DT-350
SE-DT-500
SE-DT-600
SE-DT-700

Technological Advantages

Across All Markets and Sectors

SE-DT INCLINED INTENSIVE DAMPENER - APPLICATION OVERVIEW

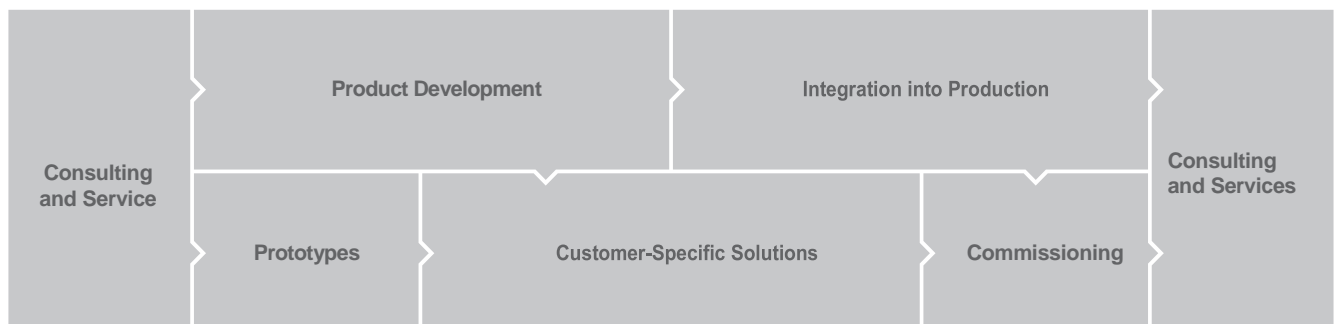
The Inclined Intensive Dampener is a specialized machine designed to apply water to wheat kernels in a uniform and controlled manner within grain processing lines. Thanks to its inclined structure, the grain remains in contact with water longer, improving absorption efficiency. This results in better milling performance, reduced energy consumption, and enhanced final product quality. Engineered to meet food safety standards, it features high capacity and low maintenance requirements.

FEATURES & ADVANTAGES

- ▶ Homogeneous and controlled water application
- ▶ Inclined body for extended grain-water contact
- ▶ Improved moisture absorption efficiency
- ▶ Enhanced milling performance and yield
- ▶ Energy-efficient operation
- ▶ Low maintenance design
- ▶ Stainless steel contact surfaces for hygiene
- ▶ Compact structure with high capacity output

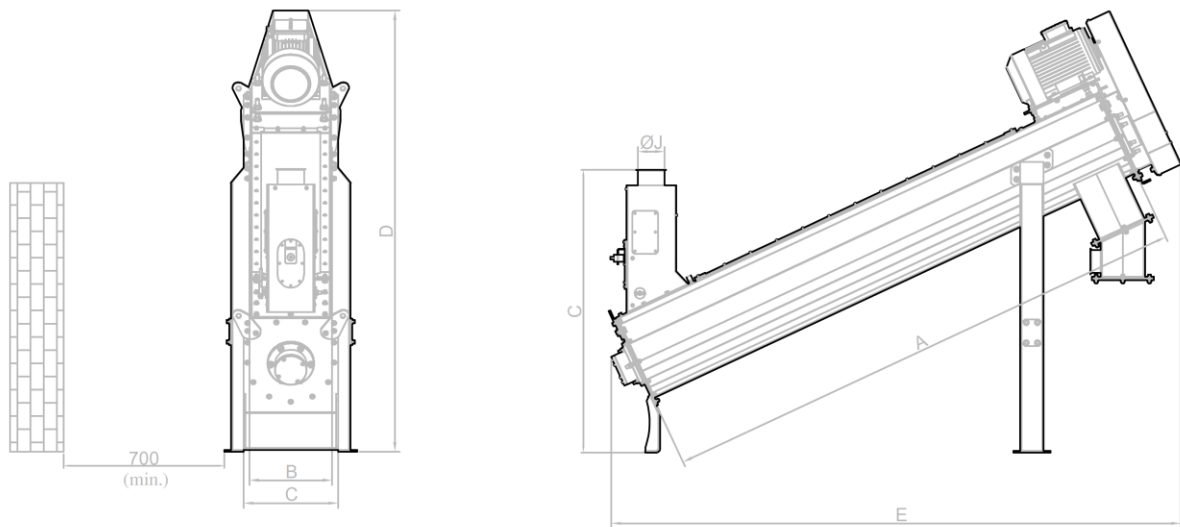
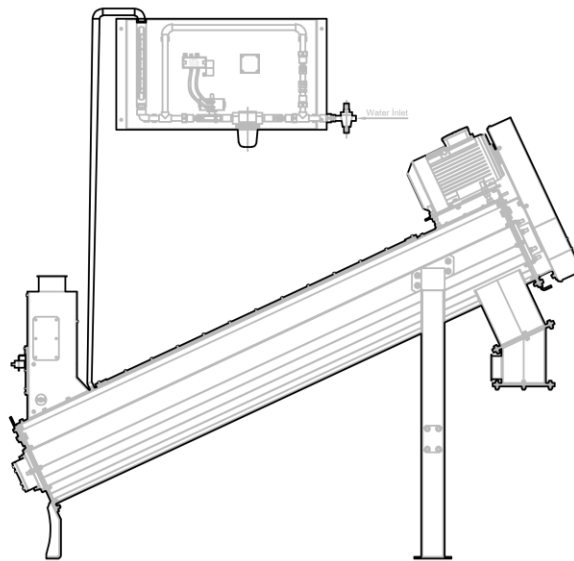
APPLICATION FIELDS

- ▶ Grain processing plants
- ▶ Flour mills
- ▶ Barley processing facilities
- ▶ Corn flour factories
- ▶ Food production plants
- ▶ Pasta Factory
- ▶ Biscuit Factory
- ▶ Cereal cleaning and conditioning units



Technical Table

Inclined Intensive Dampener



MODEL MODELE	DIMENSIONS mm.						TECHNICAL FEATURES CARACTERISTIQUES TECHNIQUES			
	A	B	C	D	E	øJ	Capacity-Capacité t/h	Weights - Poids Kg		Gross volume Volume sous emballage m ³
								Net	Gross-Brut	
SE-DT-250	2400	250	320	1273	2560	100	5-6	380	530	4,2
SE-DT-350	2400	350	420	1273	2560	150	8-15	450	600	5,2
SE-DT-500	2400	500	570	1273	2560	150	16-28	750	950	6,6
SE-DT-600	3680	600	670	1373	3840	200	27-35	1100	1350	12,9
SE-DT-700	3680	700	770	1373	3840	250	35-43	1250	1600	14,5

SEDIROGLU GROUP DELIVERS COMPLETE SOLUTIONS ACROSS VARIOUS INDUSTRIES, COMBINING DEEP TECHNICAL EXPERTISE WITH A DIVERSE AND EXTENSIVE PRODUCT RANGE TO MEET A WIDE SPECTRUM OF CUSTOMER NEEDS..

FACING A DEVELOPMENT CHALLENGE? WE PROVIDE THE SOLUTION.
AT SEDIROGLU GROUP, OUR EXPERIENCED R&D TEAM IS COMMITTED TO CONTINUOUS IMPROVEMENT.
MANY INDUSTRY INNOVATIONS HAVE ORIGINATED FROM OUR COMPANY.
WE ARE DRIVEN BY A FORWARD-THINKING MINDSET AND A PIONEERING SPIRIT IN EVERY STEP WE TAKE.

CONTACT – WORLDWIDE

With 12 branches around the world and marketing teams in over 70 countries, we provide you with outstanding service worthy of a technology leader.

We look forward to hearing from you!

<https://sedirolugroup.com/contact>



AT YOUR SERVICE 24/7 – OUR VIRTUAL BOOTH

With impressive features like animated shots, clickable hotspots, and rotatable 3D models, we are confident our online presentations will truly impress you.

<https://sedirolugroup.com/products>



DISCOVER MORE ABOUT THIS PRODUCT

Scan the QR code to access detailed technical specifications, application insights, high-quality visuals, and interactive digital content related to this product.

<https://sedirolugroup.com/products/inclined-intensive-dampener>



HEAD OFFICE:
SEDIROGLU GROUP
Turkey, Çorum
T +90 541 620 03 22
E Mail : info@sedirolu.com

www.sedirolugroup.com

Sedirolu
GROUP machine