

Latest Innovations

Innovative solutions developed across all areas of technology.

Product Catalogue

Infestation Destroyer for Flour

SE-IDF-11
SE-IDF-18.5

Technological Advantages

Across All Markets and Sectors

SE-IDF INFESTATION DESTROYER FOR FLOUR- APPLICATION OVERVIEW

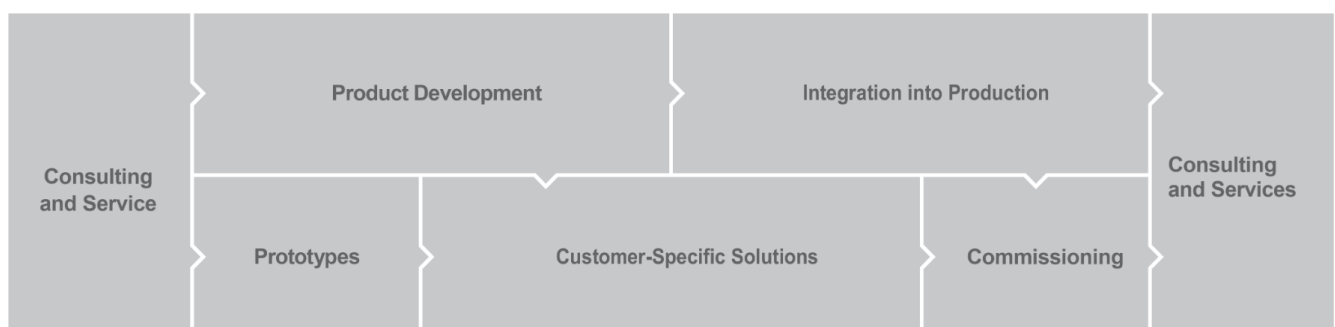
The SE-IDF Infestation Destroyer for Flour by Sediroglu Group is designed to eliminate insects, larvae, and eggs that may develop during flour storage and processing. In modern milling and food production facilities, maintaining hygienic conditions and preventing biological contamination is essential for ensuring product safety and preserving flour quality. This system provides a highly effective mechanical treatment that destroys infestation without damaging the natural structure, color, or nutritional properties of the flour. The machine is integrated directly into flour conveying lines and operates continuously without interrupting production flow. It ensures that contaminated flour is treated in-line before further processing or packaging stages. The compact and robust design allows easy installation in existing milling systems while maintaining high operational efficiency. The SE-IDF ensures that only clean and safe flour continues through the production line, improving overall product quality and compliance with food safety standards. Its heavy-duty construction and optimized internal processing system provide long-term durability, stable operation, and low maintenance requirements even under continuous industrial use. The system operates through a controlled mechanical impact mechanism that targets biological contamination within the flour stream. As flour passes through the machine, controlled internal forces break down insects, larvae, and eggs while preserving the physical and nutritional integrity of the product. This ensures hygienic, safe, and high-quality flour output suitable for modern food production standards.

FEATURES & ADVANTAGES

- ▶ Effective elimination of insects, larvae, and eggs in flour streams
- ▶ Maintains flour structure, color, and nutritional quality
- ▶ Continuous inline operation without production interruption
- ▶ Compact design for easy integration into existing milling lines
- ▶ Heavy-duty industrial construction for long service life
- ▶ Low maintenance and stable operation
- ▶ Energy-efficient processing system
- ▶ Reduces contamination risks during storage and transport
- ▶ Suitable for modern high-capacity milling plants

APPLICATION FIELDS

- ▶ Wheat flour mills
- ▶ Semolina production plants
- ▶ Rusk (breadcrumb) flour mills
- ▶ Pasta production facilities
- ▶ Corn flour milling plants
- ▶ Biscuit and bakery product factories
- ▶ Industrial food processing plants
- ▶ Grain and flour handling and storage systems

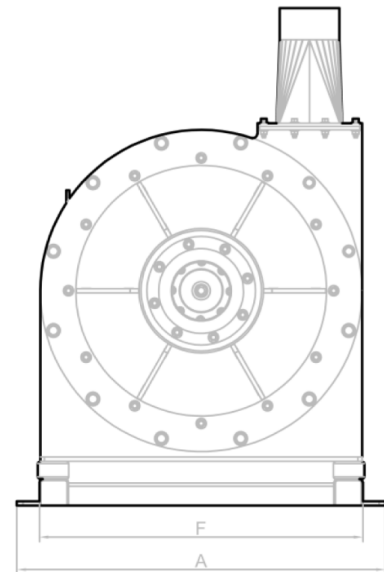
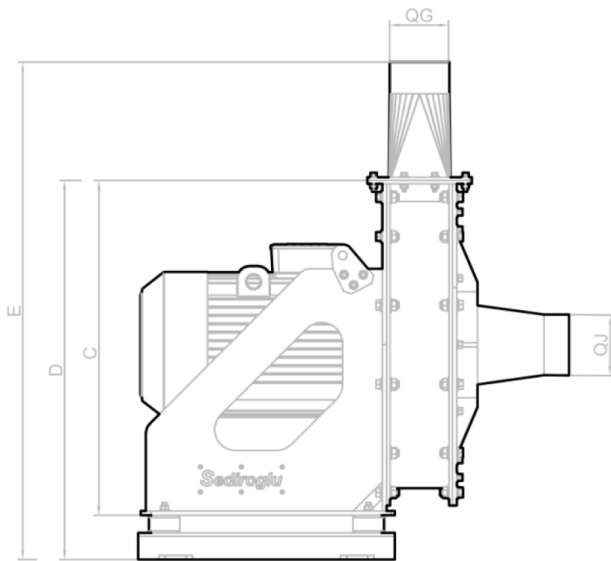
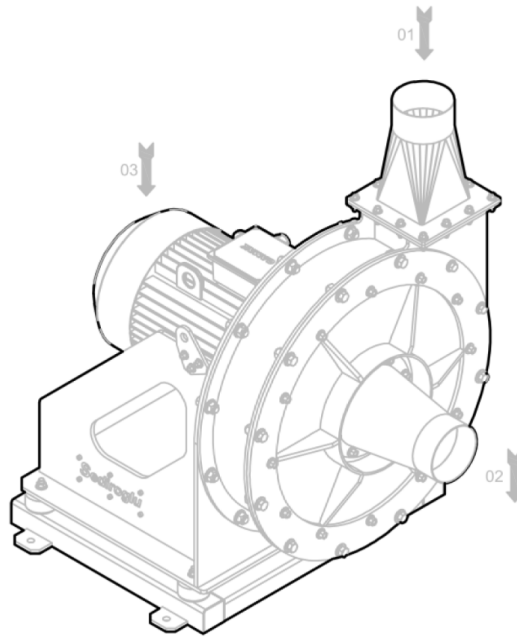


Technical Table

Infestation Destroyer For Flour

- 1- Product inlet
- 2- Product outlet
- 3- Engine

- 1- Entrée de produit
- 2- Sortie de produit
- 3- Moteur



MODEL MODELE	DIMENSIONS mm.								TECHNICAL FEATURES CARACTERISTIQUES TECHNIQUES				
	A	B	C	D	E	F	QG	QJ	Capacity Capacité t/h	Motor Moteur Kw	Weights - Poids Kg Net Gross-Brut		Gross volume Volume sous emballage m³
SE-IDF-11	882	812	801	906	1196	770	150	150	6 - 8	11	410	475	1.4
SE-IDF-18.50									12 - 14	18,5	450	515	

SEDIROGLU GROUP DELIVERS COMPLETE SOLUTIONS ACROSS VARIOUS INDUSTRIES, COMBINING DEEP TECHNICAL EXPERTISE WITH A DIVERSE AND EXTENSIVE PRODUCT RANGE TO MEET A WIDE SPECTRUM OF CUSTOMER NEEDS.

FACING A DEVELOPMENT CHALLENGE? WE PROVIDE THE SOLUTION.

AT SEDIROGLU GROUP, OUR EXPERIENCED R&D TEAM IS COMMITTED TO CONTINUOUS IMPROVEMENT.

MANY INDUSTRY INNOVATIONS HAVE ORIGINATED FROM OUR COMPANY.

WE ARE DRIVEN BY A FORWARD-THINKING MINDSET AND A PIONEERING SPIRIT IN EVERY STEP WE TAKE.

CONTACT – WORLDWIDE

With 12 branches around the world and marketing teams in over 70 countries, we provide you with outstanding service worthy of a technology leader.

We look forward to hearing from you!

<https://sediroglugroup.com/contact>



AT YOUR SERVICE 24/7 – OUR VIRTUAL BOOTH

With impressive features like animated shots, clickable hotspots, and rotatable 3D models, we are confident our online presentations will truly impress you.

<https://sediroglugroup.com/products>



DISCOVER MORE ABOUT THIS PRODUCT

Scan the QR code to access detailed technical specifications, application insights, high-quality visuals, and interactive digital content related to this product.

<https://sediroglugroup.com/products/infestation-destroyer>



HEAD OFFICE:

SEDIROGLU GROUP

Turkey, Çorum

T +90 541 620 03 22

E Mail : info@sediroglu.com

E Mail : info@sediroglugroup.com

www.sediroglugroup.com

Sediroglu
GROUP machine