



Latest Innovations

Innovative solutions developed across all areas of technology.

Product Catalogue

Plug Diverter Valve

SE-PL-A-83
SE-PL-A-102
SE-PL-A-120
SE-PL-A-150
SE-PL-A-180



Technological Advantages

Across All Markets and Sectors

SE-PL-A PLUG DIVERTER VALVE - APPLICATION OVERVIEW

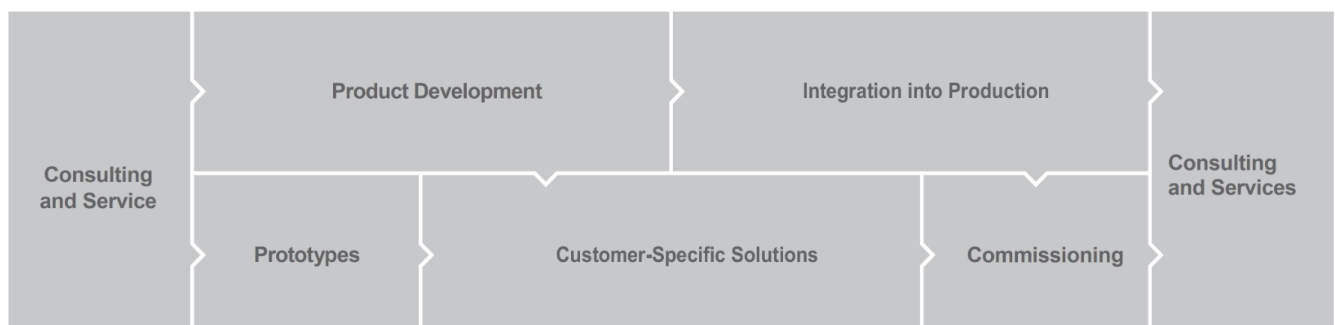
The SE-PL-A Plug Diverter Valve is engineered for controlled and efficient routing of bulk materials in pneumatic conveying systems. It is widely used in flour mills, feed mills, semolina plants, starch production facilities, and other food and grain processing industries where accurate product direction is essential. The valve enables seamless switching between two or more conveying lines without interrupting the production flow. Designed for airtight performance, the SE-PL-A Plug Diverter Valve minimizes product leakage and prevents cross-contamination between different product streams. Its precision-machined internal plug mechanism ensures smooth transition and consistent material flow, even under continuous operation conditions. Thanks to its durable construction and optimized sealing system, the valve delivers stable performance in high-capacity conveying lines. The compact and modular structure allows easy integration into new or existing installations. With its hygienic design, operational reliability, and reduced maintenance needs, the SE-PL-A Plug Diverter Valve enhances overall plant efficiency and process safety in modern industrial facilities.

FEATURES & ADVANTAGES

- ▶ Precise and secure product flow diversion between multiple pipeline routes
- ▶ Airtight sealing system minimizing product leakage and dust emission
- ▶ Robust cast body design for long-term industrial use
- ▶ Smooth internal surface ensuring uninterrupted material flow
- ▶ Pneumatic or manual actuator options for flexible operation
- ▶ Compact structure suitable for limited installation spaces
- ▶ Hygienic design compatible with food-grade processing lines
- ▶ Low maintenance requirements and reliable long service life

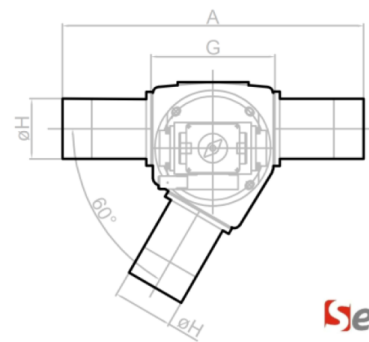
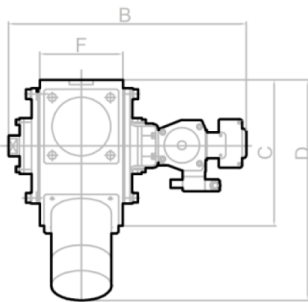
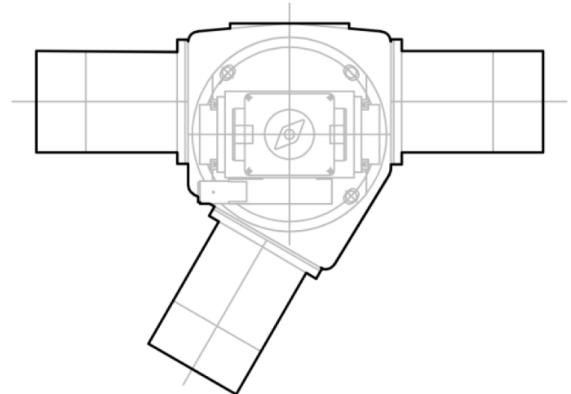
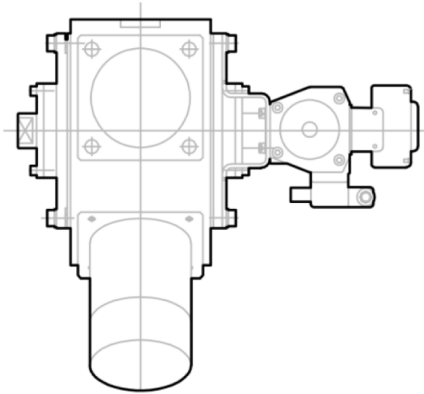
APPLICATION FIELDS

- ▶ Wheat flour mills
- ▶ Whole wheat flour milling plants
- ▶ Semolina (durum wheat) production lines
- ▶ Pasta flour production facilities
- ▶ Corn flour milling plants
- ▶ Rusk (galeta) flour mills
- ▶ Starch production plants
- ▶ Milling, sifting, and quality control sections
- ▶ Flour packaging lines
- ▶ Flour conveying lines
- ▶ Dusty product and granular material conveying lines



Technical Table

Plug Diverter Valve



MODEL MODELE	DIMENSIONS mm.							TECHNICAL FEATURES CARACTERISTIQUES TECHNIQUES		
	A	B	C	D	F	G	ØH	Weights - Poids Kg		Volume sous Gross volume emballage m ³
								Net	Gross-Brut	
SE-PL-A-83	484	384	210	327	125	184	42 46 51 57 63 70 76 83	37	70	0.1
SE-PL-A-102	516	414	247	371	148	216	95 102	56	92	0.12
SE-PL-A-120	548	446	287	406	174	248	108 119 125	92	132	0.14
SE-PL-A-150	598	488	345	467	210	298	133 150	127	172	0.18
SE-PL-A-180	636	540	378	500	243	336	170 190	162	212	0.22

SEDIROGLU GROUP DELIVERS COMPLETE SOLUTIONS ACROSS VARIOUS INDUSTRIES, COMBINING DEEP TECHNICAL EXPERTISE WITH A DIVERSE AND EXTENSIVE PRODUCT RANGE TO MEET A WIDE SPECTRUM OF CUSTOMER NEEDS.

FACING A DEVELOPMENT CHALLENGE? WE PROVIDE THE SOLUTION.
AT SEDIROGLU GROUP, OUR EXPERIENCED R&D TEAM IS COMMITTED TO CONTINUOUS IMPROVEMENT.
MANY INDUSTRY INNOVATIONS HAVE ORIGINATED FROM OUR COMPANY.
WE ARE DRIVEN BY A FORWARD-THINKING MINDSET AND A PIONEERING SPIRIT IN EVERY STEP WE TAKE.

CONTACT – WORLDWIDE

With 12 branches around the world and marketing teams in over 70 countries, we provide you with outstanding service worthy of a technology leader.

We look forward to hearing from you!

<https://sedirolugroup.com/contact>



AT YOUR SERVICE 24/7 – OUR VIRTUAL BOOTH

With impressive features like animated shots, clickable hotspots, and rotatable 3D models, we are confident our online presentations will truly impress you.

<https://sedirolugroup.com/products>



DISCOVER MORE ABOUT THIS PRODUCT

Scan the QR code to access detailed technical specifications, application insights, high-quality visuals, and interactive digital content related to this product.

<https://sedirolugroup.com/products/pneumatic-line-diverting-gate>



HEAD OFFICE:
SEDIROGLU GROUP
Turkey, Çorum
T +90 541 620 03 22
E Mail : info@sedirolu.com
E Mail : info@sedirolugroup.com

www.sedirolugroup.com

Sedirolu
GROUP machine