

Latest Innovations

Innovative solutions developed across all areas of technology.

Product Catalogue

High Speed Hammer Mill

SE-YMF-M-100
SE-YMF-M-150
SE-YMF-M-200
SE-YMF-M-250
SE-YMF-M-300
SE-YMF-M-350

Technological Advantages

Across All Markets and Sectors

SE-YMF HIGH SPEED HAMMER MILL - APPLICATION OVERVIEW

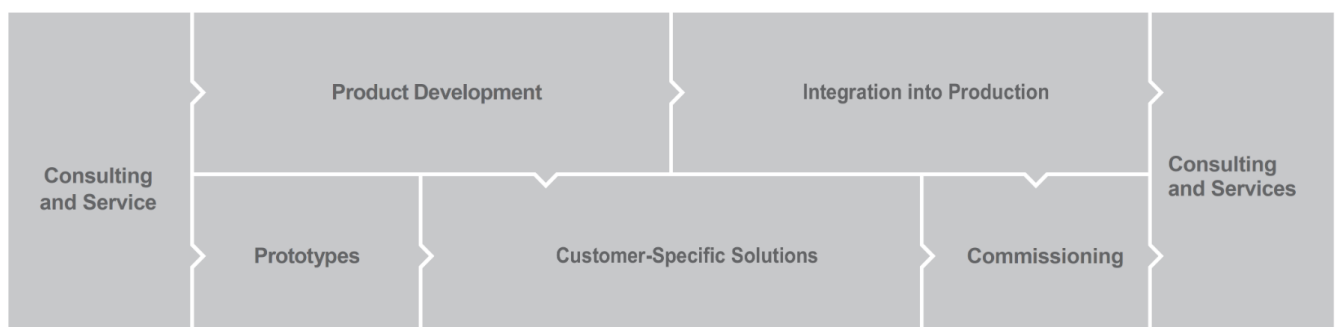
The SE-YMF High Speed Hammer Mill is engineered by SEDIROGLU GROUP to deliver superior grinding performance for modern feed production facilities. Designed for continuous industrial operation, the system ensures high efficiency, stable production flow, and consistent particle size reduction even under demanding working conditions. The machine is equipped with a synchronized double screw feeding system mounted on the upper section. This twin screw mechanism guarantees controlled and homogeneous material distribution into the grinding chamber. By preventing sudden load variations and irregular product flow, the feeding system protects the rotor assembly, improves grinding precision, and enhances overall operational stability. This controlled intake significantly increases production efficiency and reduces mechanical stress during high-speed operation. For maximum equipment protection, the SE-YMF High Speed Hammer Mill features a flap-controlled magnetic box installed directly above the grinding chamber. This powerful magnetic system captures metal contaminants before they enter the rotor area. The flap mechanism allows easy cleaning and maintenance of accumulated metal particles, ensuring safe and uninterrupted operation. The magnetic protection system plays a critical role in preventing damage to hammers, screens, and rotor components, extending machine lifespan and reducing downtime. The rotor system operates at high speed and is dynamically balanced to minimize vibration and ensure smooth performance. The hammer blades are manufactured from Hardox 550 steel, providing exceptional resistance against abrasion and impact. Hardox 550 significantly increases service life while maintaining consistent grinding quality. This combination of high-speed rotor technology and wear-resistant hammer blades guarantees uniform particle size distribution and high-capacity grinding performance. The SE-YMF High Speed Hammer Mill is available in multiple capacity options to meet the needs of medium and large-scale feed production plants. It offers powerful, safe, and long-lasting grinding solutions designed for continuous industrial performance.

FEATURES & ADVANTAGES

- ▶ Hardox 550 hammer blades for superior wear resistance
- ▶ Dynamically balanced high-speed rotor system
- ▶ Homogeneous particle size distribution
- ▶ Reinforced heavy-duty steel construction
- ▶ Reduced vibration and mechanical stress
- ▶ Energy-efficient airflow and discharge system
- ▶ Long operational lifespan with low maintenance cost
- ▶ Suitable for capacities between 10 to 50 tons per hour
- ▶ Designed for continuous industrial operation

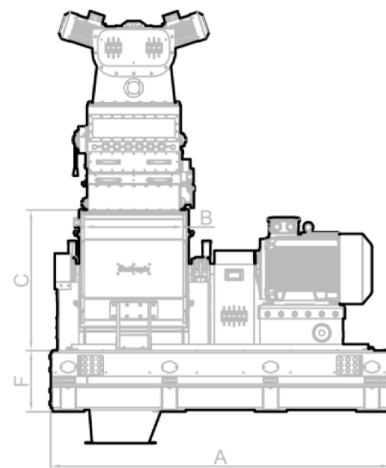
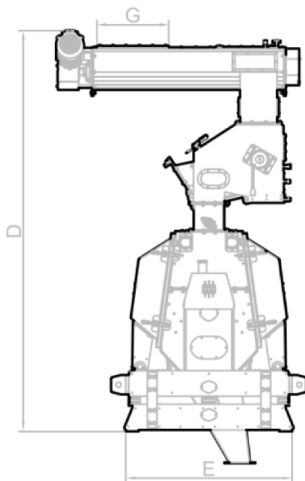
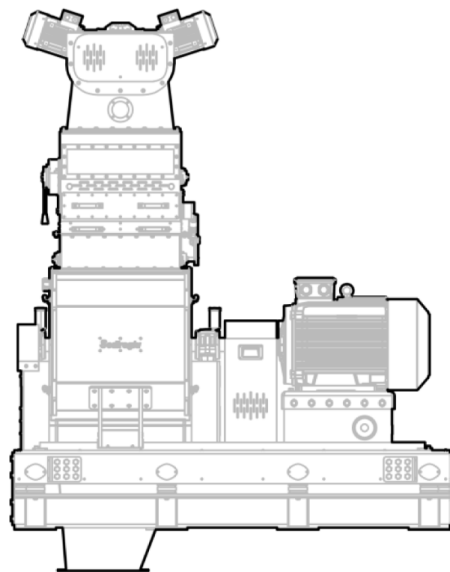
APPLICATION FIELDS

- ▶ Feed production plants
- ▶ Poultry and livestock feed factories
- ▶ Grain and cereal processing facilities
- ▶ Agricultural product milling lines
- ▶ Industrial grinding and crushing operations
- ▶ Corn, barley, wheat, and similar raw material processing plants
- ▶ High-capacity feed manufacturing systems
- ▶ Integrated feed mill production lines



Technical Table

High Speed Hammer Mill



Sediroglu
GRUP machine

MODEL MODELE	DIMENSIONS mm.							TECHNICAL FEATURES CARACTERISTIQUES TECHNIQUES				
	A	B	C	D	E	F	G	Motor Moteur Kw	Capacity Capacité m³/h	Required Air Volume for Aspiration	Sieving Area (dm²)	Number of Crusher Blades
SE-YMF-M-100	1840	405	900	2510	1056	382	320X370	90	10	62	100	78
SE-YMF-M-150	2080	505						110	15	78	135	78
SE-YMF-M-200	2350	605						132	20	94	160	78
SE-YMF-M-250	2450	705						160	25	110	190	84
SE-YMF-M-300	2785	805						185	30	125	210	96
SE-YMF-M-350	3150	1150						1000	2610	1156	400	350X400

SEDIROGLU GROUP DELIVERS COMPLETE SOLUTIONS ACROSS VARIOUS INDUSTRIES, COMBINING DEEP TECHNICAL EXPERTISE WITH A DIVERSE AND EXTENSIVE PRODUCT RANGE TO MEET A WIDE SPECTRUM OF CUSTOMER NEEDS.

FACING A DEVELOPMENT CHALLENGE? WE PROVIDE THE SOLUTION.
AT SEDIROGLU GROUP, OUR EXPERIENCED R&D TEAM IS COMMITTED TO CONTINUOUS IMPROVEMENT.
MANY INDUSTRY INNOVATIONS HAVE ORIGINATED FROM OUR COMPANY.
WE ARE DRIVEN BY A FORWARD-THINKING MINDSET AND A PIONEERING SPIRIT IN EVERY STEP WE TAKE.

CONTACT – WORLDWIDE

With 12 branches around the world and marketing teams in over 70 countries, we provide you with outstanding service worthy of a technology leader.

We look forward to hearing from you!

<https://sedirolugroup.com/contact>



AT YOUR SERVICE 24/7 – OUR VIRTUAL BOOTH

With impressive features like animated shots, clickable hotspots, and rotatable 3D models, we are confident our online presentations will truly impress you.

<https://sedirolugroup.com/products>



DISCOVER MORE ABOUT THIS PRODUCT

Scan the QR code to access detailed technical specifications, application insights, high-quality visuals, and interactive digital content related to this product.

<https://sedirolugroup.com/products/high-speed-hammer-mill>



HEAD OFFICE:

SEDIROGLU GROUP

Turkey, Çorum

T +90 541 620 03 22

E Mail : info@sedirolu.com

E Mail : info@sedirolugroup.com

www.sedirolugroup.com

Sedirolu
GROUP machine