

## Latest Innovations

Innovative solutions developed across all areas of technology.

Product Catalogue

Multi Inlet Bunker

SE-ZXR-4  
SE-ZXR-6  
SE-ZXR-8  
SE-ZXR-9  
SE-ZXR-10  
SE-ZXR-12  
SE-ZXR-20

# Technological Advantages

## Across All Markets and Sectors

### SE-ZXR MULTI INLET BUNKER- APPLICATION OVERVIEW

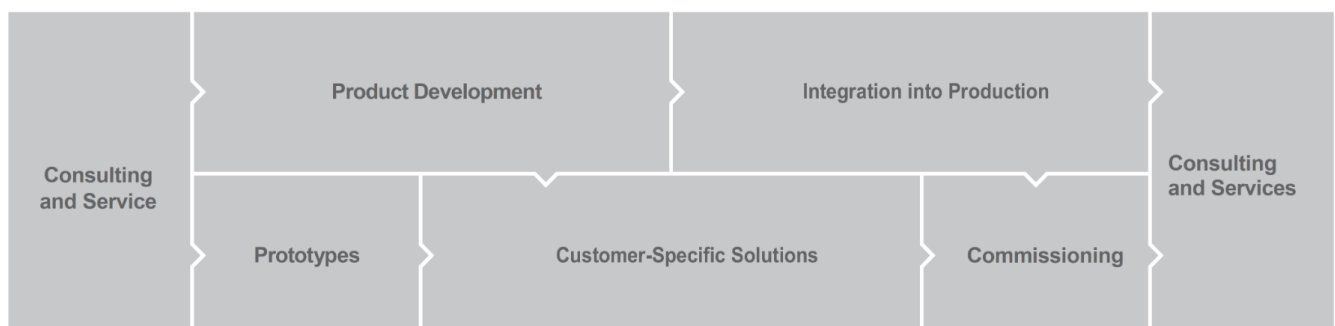
The SE-ZXR Multi Inlet Bunker is designed to efficiently collect, distribute, and regulate material flow from multiple product inlets in modern flour milling and bulk material handling systems. By combining several incoming product lines into a single, controlled discharge, the bunker ensures stable and continuous material feeding to downstream equipment such as sifters, conveyors, or processing machines. Its optimized internal geometry prevents material buildup, bridging, and segregation, allowing smooth and uniform flow even with varying input rates. Engineered for precise flow management, the SE-ZXR Multi Inlet Bunker supports consistent process performance and improves overall line efficiency. The robust structure and carefully designed inlet configuration enable reliable operation under continuous industrial conditions. With its compact and modular design, the bunker can be easily integrated into existing milling lines while maintaining high durability and minimal maintenance requirements. The SE-ZXR Multi Inlet Bunker enhances process control, reduces downtime, and contributes to stable production quality in flour mills and similar industrial applications.

#### FEATURES & ADVANTAGES

- ▶ Designed for multiple product inlets with controlled material merging
- ▶ Ensures uniform and continuous material flow to downstream equipment
- ▶ Optimized internal geometry to prevent bridging and material buildup
- ▶ Improves process stability and overall production efficiency
- ▶ Compact and space-saving design for easy integration into existing lines
- ▶ Robust and durable construction for continuous industrial operation
- ▶ Compatible with manual or automated flow control systems
- ▶ Low maintenance requirements and easy internal access

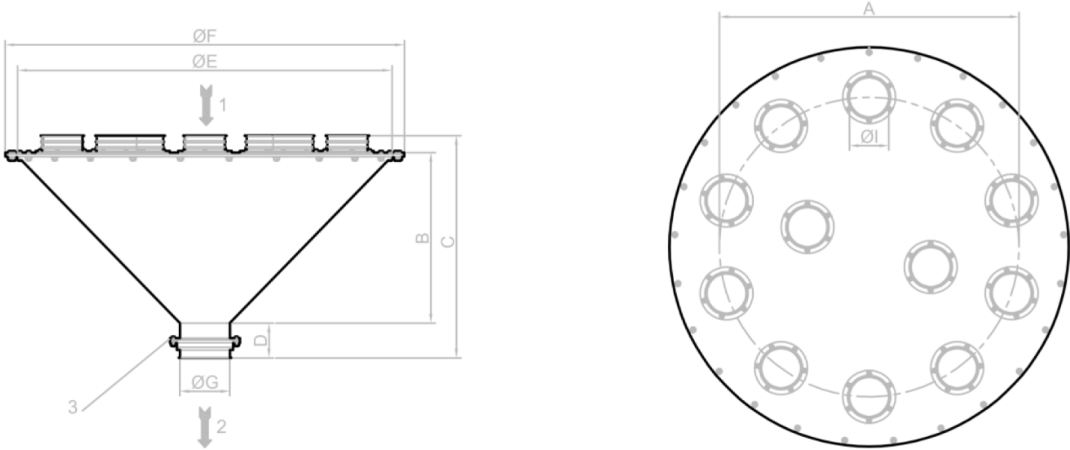
#### APPLICATION FIELDS

- ▶ Flour mills
- ▶ Semolina plants
- ▶ Whole wheat flour mills
- ▶ Bread crumb (galeta) mills
- ▶ Corn flour mills
- ▶ Pasta production facilities
- ▶ Grain and cereal processing plants



# Technical Table

## Multi-Inlet Bunker



MODEL MODELE	DIMENSIONS mm.							
	A	B	C	D	ØE	ØF	ØI	ØG
SE-ZXR-2	500	300	460	105	740	800	100 120 150	100 120 150
SE-ZXR-4								
SE-ZXR-6								
SE-ZXR-8								
SE-ZXR-9								
SE-ZXR-10	900	508	668		1140	1200		
SE-ZXR-12								
SE-ZXR-14								
SE-ZXR-16								
SE-ZXR-20	1250	708	868		1540	1600		
SE-ZXR-22								
SE-ZXR-24								
SE-ZXR-26								

# SEDIROGLU GROUP DELIVERS COMPLETE SOLUTIONS ACROSS VARIOUS INDUSTRIES, COMBINING DEEP TECHNICAL EXPERTISE WITH A DIVERSE AND EXTENSIVE PRODUCT RANGE TO MEET A WIDE SPECTRUM OF CUSTOMER NEEDS.

FACING A DEVELOPMENT CHALLENGE? WE PROVIDE THE SOLUTION.  
AT SEDIROGLU GROUP, OUR EXPERIENCED R&D TEAM IS COMMITTED TO CONTINUOUS IMPROVEMENT.  
MANY INDUSTRY INNOVATIONS HAVE ORIGINATED FROM OUR COMPANY.  
WE ARE DRIVEN BY A FORWARD-THINKING MINDSET AND A PIONEERING SPIRIT IN EVERY STEP WE TAKE.

## CONTACT – WORLDWIDE

With 12 branches around the world and marketing teams in over 70 countries, we provide you with outstanding service worthy of a technology leader.

We look forward to hearing from you!

<https://sediroglugroup.com/contact>



## AT YOUR SERVICE 24/7 – OUR VIRTUAL BOOTH

With impressive features like animated shots, clickable hotspots, and rotatable 3D models, we are confident our online presentations will truly impress you.

<https://sediroglugroup.com/products>



## DISCOVER MORE ABOUT THIS PRODUCT

Scan the QR code to access detailed technical specifications, application insights, high-quality visuals, and interactive digital content related to this product.

<https://sediroglugroup.com/products/multi-inlet-bunker-section>



HEAD OFFICE:

**SEDIROGLU GROUP**

Turkey, Çorum

T +90 541 620 03 22

E Mail : [info@sediroglu.com](mailto:info@sediroglu.com)

E Mail : [info@sediroglugroup.com](mailto:info@sediroglugroup.com)

[www.sediroglugroup.com](http://www.sediroglugroup.com)

**Sediroglu**  
GROUP machine