

Latest Innovations

Innovative solutions developed across all areas of technology.

Product Catalogue

Drum Detacher-F

SE-DDF-25/40
SE-DDF-30/45
SE-DDF-32/55

Technological Advantages

Across All Markets and Sectors

SE-DDF DRUM DETACHER-F- APPLICATION OVERVIEW

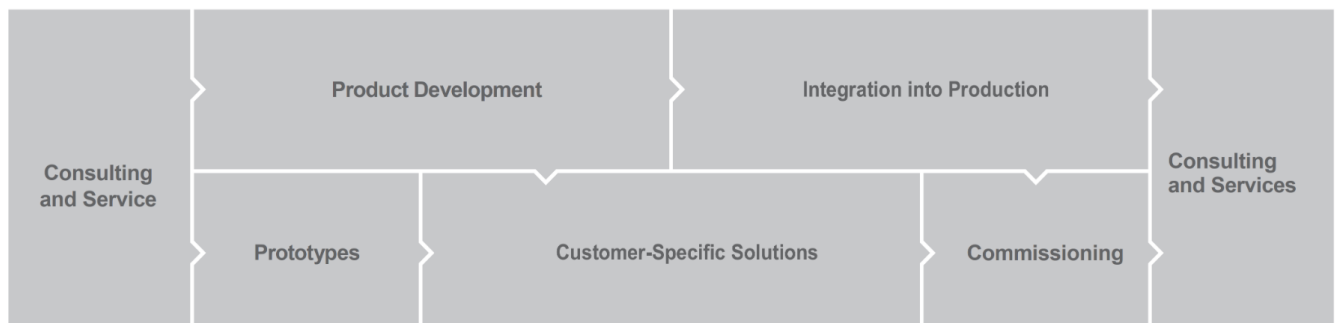
The SE-DDF Drum Detacher-F is engineered to improve product quality in milling operations by effectively detaching adhered flour and semolina particles formed after the grinding stage. Installed before sieving and classification equipment, this machine gently breaks down agglomerated particles without damaging the product structure, ensuring a more uniform particle size distribution and improved flowability. Thanks to its optimized drum and impact design, the Drum Detacher-F enhances sieve efficiency, increases flour brightness, and supports higher milling yield. It operates with stable and balanced performance, making it ideal for continuous use in modern, high-capacity milling plants. The SE-DDF model is designed for reliable operation, low maintenance requirements, and seamless integration into existing milling lines. Manufactured in accordance with industrial quality standards, the Sediroglu Group SE-DDF Drum Detacher-F provides consistent detaching performance while preserving product integrity. Its robust construction and efficient operating principle make it an essential component for mills aiming to optimize downstream sieving efficiency and overall production quality.

FEATURES & ADVANTAGES

- ▶ Effective detaching of agglomerated flour and semolina particles
- ▶ Improves flour brightness, uniformity, and flow characteristics
- ▶ Enhances sieve and purifier efficiency
- ▶ Gentle detaching without damaging product structure
- ▶ Stable and continuous operation for industrial use
- ▶ Robust drum design with long service life
- ▶ Low energy consumption and high operational efficiency
- ▶ Reduced maintenance and reliable performance

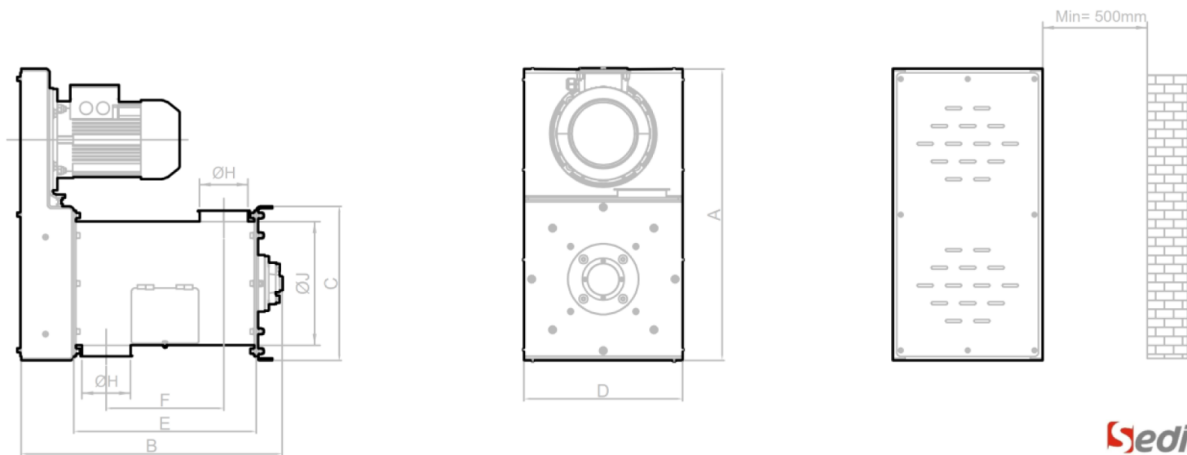
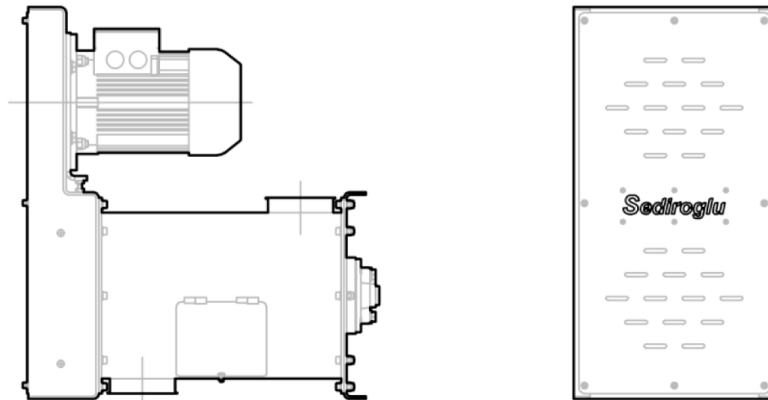
APPLICATION FIELDS

- ▶ Wheat flour mills
- ▶ Whole wheat flour mills
- ▶ Biscuit (galeta) flour production plants
- ▶ Semolina production plants
- ▶ Corn flour mills
- ▶ Pasta production facilities
- ▶ Grain and cereal processing plants
- ▶ Industrial milling and classification lines



Technical Table

Drum Detacher-F



MODEL MODELE	DIMENSIONS mm.										TECHNICAL FEATURES CARACTERISTIQUES TECHNIQUES		
	A	B	C	D	E	F	ØH	ØJ	Capacity Capacité t/h	Motor Moteur Kw	Weights - Poids Kg		Gross volume Volume sous emballage m³
											Net	Gross-Brut	
SE-DDF-25/40	630	600	395	305	400	240	120	250	0,5	0,75	70	100	0,4
SE-DDF-25/40									0,6	1,1	75	105	0,4
SE-DDF-30/45	680	650	510	400	450	270	120	300	1	2,2	100	130	0,5
SE-DDF-30/45									1,2	3	105	140	0,5
SE-DDF-30/45									1,5	4	120	165	0,5
SE-DDF-32/55	700	750	510	400	550	370	120	320	1,5	2,2	130	175	0,6
SE-DDF-32/55									2	3	135	200	0,6
SE-DDF-32/55									2,5	4	150	210	0,6

SEDIROGLU GROUP DELIVERS COMPLETE SOLUTIONS ACROSS VARIOUS INDUSTRIES, COMBINING DEEP TECHNICAL EXPERTISE WITH A DIVERSE AND EXTENSIVE PRODUCT RANGE TO MEET A WIDE SPECTRUM OF CUSTOMER NEEDS.

FACING A DEVELOPMENT CHALLENGE? WE PROVIDE THE SOLUTION.
AT SEDIROGLU GROUP, OUR EXPERIENCED R&D TEAM IS COMMITTED TO CONTINUOUS IMPROVEMENT.
MANY INDUSTRY INNOVATIONS HAVE ORIGINATED FROM OUR COMPANY.
WE ARE DRIVEN BY A FORWARD-THINKING MINDSET AND A PIONEERING SPIRIT IN EVERY STEP WE TAKE.

CONTACT – WORLDWIDE

With 12 branches around the world and marketing teams in over 70 countries, we provide you with outstanding service worthy of a technology leader.

We look forward to hearing from you!

<https://sediroglugroup.com/contact>



AT YOUR SERVICE 24/7 – OUR VIRTUAL BOOTH

With impressive features like animated shots, clickable hotspots, and rotatable 3D models, we are confident our online presentations will truly impress you.

<https://sediroglugroup.com/products>



DISCOVER MORE ABOUT THIS PRODUCT

Scan the QR code to access detailed technical specifications, application insights, high-quality visuals, and interactive digital content related to this product.

<https://sediroglugroup.com/products/drum-detacher-f>



HEAD OFFICE:
SEDIROGLU GROUP
Turkey, Çorum
T +90 541 620 03 22
E Mail : info@sediroglu.com
E Mail : info@sediroglugroup.com

www.sediroglugroup.com

Sediroglu
GROUP machine