



Latest Innovations

Innovative solutions developed across all areas of technology.

Product Catalogue

Vibro Bran Finisher

SE-HV - 100
SE-HV - 200

Technological Advantages

Across All Markets and Sectors

SE-HV VIBRO BRAN FINISHER - APPLICATION OVERVIEW

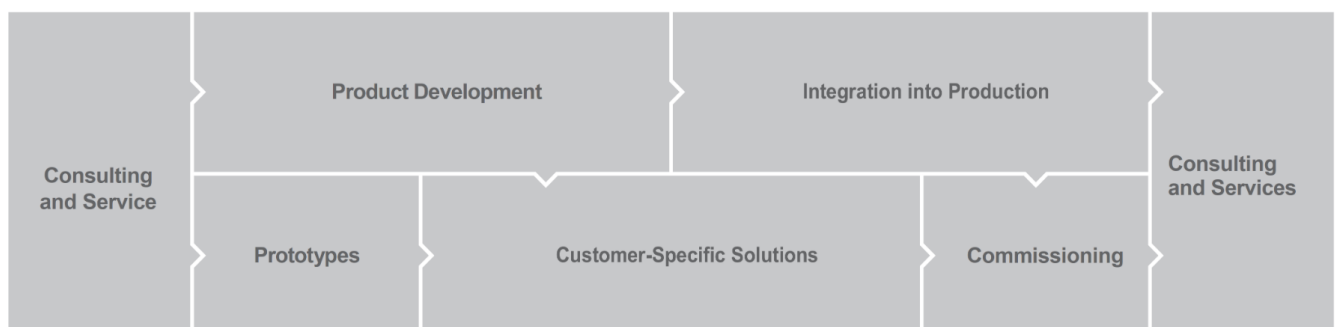
The SE-HV Vibro Bran Finisher is specifically designed to improve flour recovery by effectively separating remaining endosperm particles from bran through controlled vibration and gentle finishing action. Positioned after the milling and sieving stages, this machine ensures that valuable flour trapped within bran layers is released without damaging the bran structure. Thanks to its advanced vibro-driven operating principle, the SE-HV Vibro Bran Finisher provides consistent material movement, uniform distribution, and efficient separation performance. The vibration-based system minimizes mechanical stress, reduces energy consumption, and ensures stable operation even under continuous industrial workloads. Engineered for modern flour and semolina mills, the SE-HV Vibro Bran Finisher enhances overall milling efficiency, supports higher yield targets, and helps maintain consistent product quality. Its compact and robust design allows easy integration into existing milling lines while delivering long-term reliability and low maintenance requirements.

FEATURES & ADVANTAGES

- ▶ Efficient vibro-based separation of residual flour from bran
- ▶ Increases overall flour yield and minimizes production losses
- ▶ Gentle finishing process that preserves bran quality
- ▶ Uniform material flow ensured by optimized vibration system
- ▶ Stable and continuous operation for high-capacity milling lines
- ▶ Low energy consumption compared to conventional finishing systems
- ▶ Robust construction suitable for heavy-duty industrial use
- ▶ Easy access design for fast maintenance and cleaning
- ▶ Long service life with minimal wear components

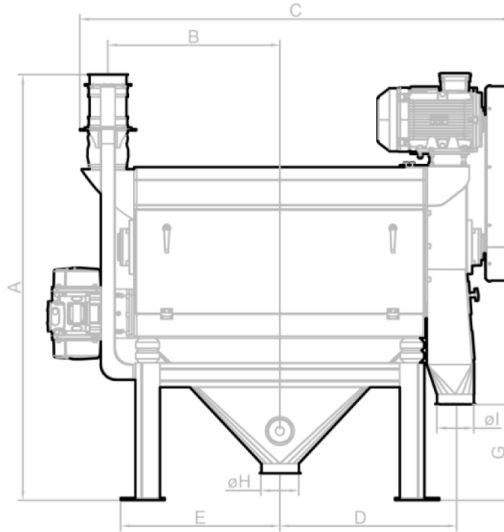
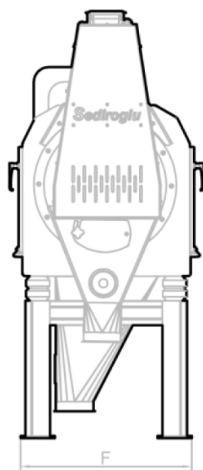
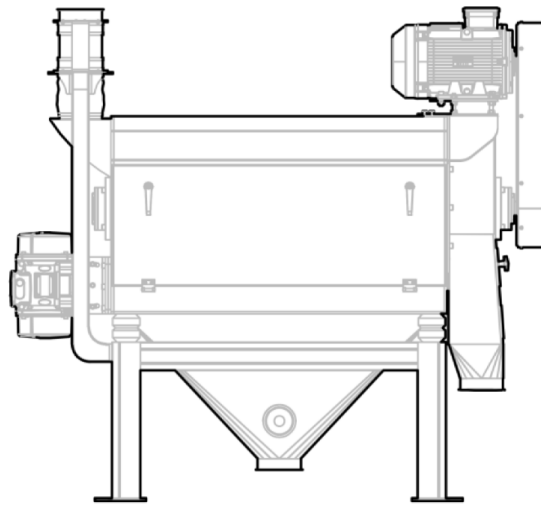
APPLICATION FIELDS

- ▶ Flour mills
- ▶ Semolina plants
- ▶ Whole wheat flour mills
- ▶ Bread crumb (galeta) mills
- ▶ Corn flour mills
- ▶ Pasta production facilities
- ▶ Grain and cereal processing plants



Technical Table

Bran Finisher



MODEL MODELE	DIMENSIONS mm.										TECHNICAL FEATURES CARACTERISTIQUES TECHNIQUES				
	A	B	C	D	E	F	G	øH	øI	øJ	Capacity Capacité t/h	Motor Moteur Kw	Weights - Poids Kg		Gross volume Volume sous emballage m³
													Net	Gross-Brut	
SE-HV - 32-100	1610	710	1700	710	650	750	383	150	150	150	1,6	5,5	580	640	2,4
SE-HV - 32-200	1880	777	1835	777	717	1010	400				2,1	7,5	720	825	4,1

SEDIROGLU GROUP DELIVERS COMPLETE SOLUTIONS ACROSS VARIOUS INDUSTRIES, COMBINING DEEP TECHNICAL EXPERTISE WITH A DIVERSE AND EXTENSIVE PRODUCT RANGE TO MEET A WIDE SPECTRUM OF CUSTOMER NEEDS.

FACING A DEVELOPMENT CHALLENGE? WE PROVIDE THE SOLUTION.
AT SEDIROGLU GROUP, OUR EXPERIENCED R&D TEAM IS COMMITTED TO CONTINUOUS IMPROVEMENT.
MANY INDUSTRY INNOVATIONS HAVE ORIGINATED FROM OUR COMPANY.
WE ARE DRIVEN BY A FORWARD-THINKING MINDSET AND A PIONEERING SPIRIT IN EVERY STEP WE TAKE.

CONTACT – WORLDWIDE

With 12 branches around the world and marketing teams in over 70 countries, we provide you with outstanding service worthy of a technology leader.

We look forward to hearing from you!

<https://sediroglugroup.com/contact>



AT YOUR SERVICE 24/7 – OUR VIRTUAL BOOTH

With impressive features like animated shots, clickable hotspots, and rotatable 3D models, we are confident our online presentations will truly impress you.

<https://sediroglugroup.com/products>



DISCOVER MORE ABOUT THIS PRODUCT

Scan the QR code to access detailed technical specifications, application insights, high-quality visuals, and interactive digital content related to this product.

<https://sediroglugroup.com/products/vibro-bran-finisher>



HEAD OFFICE:

SEDIROGLU GROUP

Turkey, Çorum

T +90 541 620 03 22

E Mail : info@sediroglu.com

E Mail : info@sediroglugroup.com

www.sediroglugroup.com

Sediroglu
GROUP machine