

Latest Innovations

Innovative solutions developed across all areas of technology.

Product Catalogue

Impact Detacher V Series

SE-iDV - 5155
SE-iDV - 5175
SE-iDV - 4511
SE-iDV - 4515

Technological Advantages

Across All Markets and Sectors

SE-IDV IMPACT DETACHER A SERIES - APPLICATION OVERVIEW

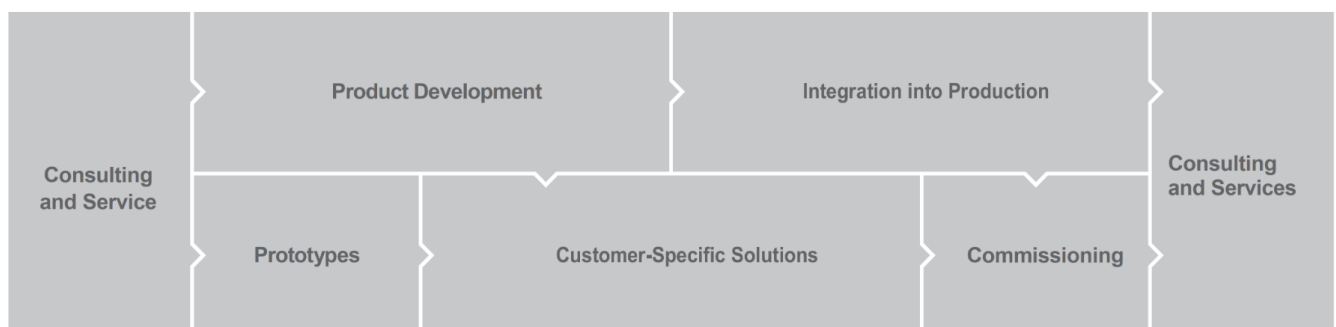
The SE-IDV Impact Detacher V Series is designed to improve flour quality by efficiently detaching adhered particles after the grinding process, offering the same high detachment efficiency and gentle product handling as the A Series, with a vertical, ceiling-mounted installation design. This machine plays a key role in modern milling systems by separating adhered flour particles from semolina and bran without damaging the product structure. The V Series ensures uniform particle size distribution, improved flour brightness, and higher milling efficiency. Thanks to its optimized impact and rotor design, it delivers stable and high-performance operation while preserving product integrity. The SE-IDV Impact Detacher V Series is engineered for space-efficient installation and is ideal for plants where floor space is limited. It is designed for continuous operation in high-capacity flour mills and offers reliable, stable, and low-maintenance performance.

FEATURES & ADVANTAGES

- ▶ Efficient detachment of adhered flour particles after grinding
- ▶ Improves flour quality, brightness, and uniformity
- ▶ Optimized impact system for gentle yet effective separation
- ▶ Supports higher milling efficiency and flour yield
- ▶ Continuous and stable operation for industrial applications
- ▶ Robust and durable construction for long service life
- ▶ Low energy consumption and reduced operating costs
- ▶ Easy maintenance and reliable performance
- ▶ Space-saving design with flexible vertical installation options

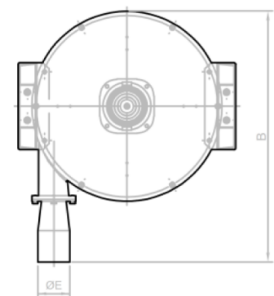
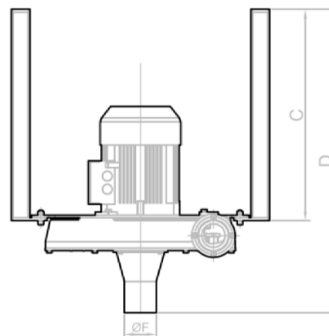
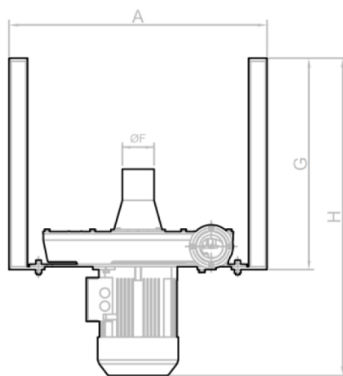
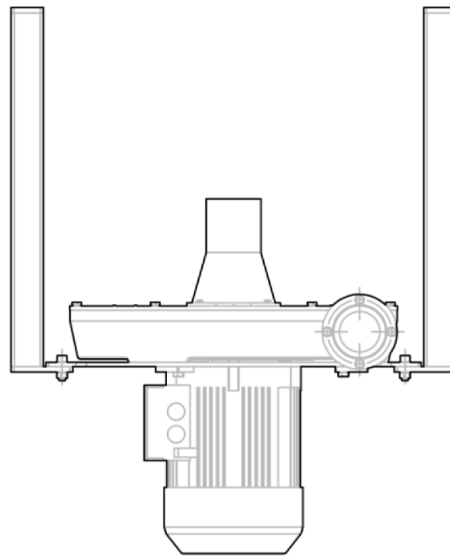
APPLICATION FIELDS

- ▶ Flour mills
- ▶ Semolina plants
- ▶ Whole wheat flour mills
- ▶ Bread crumb (galeta) mills
- ▶ Corn flour mills
- ▶ Pasta production facilities
- ▶ Grain and cereal processing plants



Technical Table

Impact Detacher-V



Sediroglu
SOLUTIONS

| MODEL MODELE | DIMENSIONS mm. | | | | | | | | TECHNICAL FEATURES CARACTERISTIQUES TECHNIQUES | | | | |
|-----------------|----------------|-----|-----|-----|-----|-----|-----|------|---|--------------|-----------------------|------------|--|
| | A | B | C | D | ØE | ØF | G | H | Capacity | Motor | Weights - Poids Kg | | Volume sous Gross volume emballage m³ |
| | | | | | | | | | Capacité t/h | Moteur Kw | Net | Gross-Brut | |
| SE-IDV - 5155 | 700 | 806 | 620 | 913 | 57 | 120 | 620 | 1100 | 1 | 5.5 | 148 | 232 | 1.2 |
| SE-IDV - 5175 | | | | | 70 | | | 1150 | 1.6 | 7.5 | 157 | 240 | |
| SE-IDV - 4511 | | | | | 83 | | | 1200 | 2.8 | 11 | 190 | 275 | |
| SE-IDV - 4515 | | | | | 95 | | | 1250 | 4,1 | 15 | 195 | 290 | |
| | | | | | 102 | | | | | | | | |
| | | | | | 108 | | | | | | | | |
| | | | | | 119 | | | | | | | | |
| | | | | | 125 | | | | | | | | |

SEDIROGLU GROUP DELIVERS COMPLETE SOLUTIONS ACROSS VARIOUS INDUSTRIES, COMBINING DEEP TECHNICAL EXPERTISE WITH A DIVERSE AND EXTENSIVE PRODUCT RANGE TO MEET A WIDE SPECTRUM OF CUSTOMER NEEDS.

FACING A DEVELOPMENT CHALLENGE? WE PROVIDE THE SOLUTION.
AT SEDIROGLU GROUP, OUR EXPERIENCED R&D TEAM IS COMMITTED TO CONTINUOUS IMPROVEMENT.
MANY INDUSTRY INNOVATIONS HAVE ORIGINATED FROM OUR COMPANY.
WE ARE DRIVEN BY A FORWARD-THINKING MINDSET AND A PIONEERING SPIRIT IN EVERY STEP WE TAKE.

CONTACT – WORLDWIDE

With 12 branches around the world and marketing teams in over 70 countries, we provide you with outstanding service worthy of a technology leader.

We look forward to hearing from you!

<https://sedirolugroup.com/contact>



AT YOUR SERVICE 24/7 – OUR VIRTUAL BOOTH

With impressive features like animated shots, clickable hotspots, and rotatable 3D models, we are confident our online presentations will truly impress you.

<https://sedirolugroup.com/products>



DISCOVER MORE ABOUT THIS PRODUCT

Scan the QR code to access detailed technical specifications, application insights, high-quality visuals, and interactive digital content related to this product.

<https://sedirolugroup.com/products/impact-detacher-v>



HEAD OFFICE:
SEDIROGLU GROUP
Turkey, Çorum
T +90 541 620 03 22
E Mail : info@sedirolu.com
E Mail : info@sedirolugroup.com

www.sedirolugroup.com

Sedirolu
GROUP machine