

## Latest Innovations

Innovative solutions developed across all areas of technology.

Product Catalogue

Impact Detacher A Series

SE-ID - 5155  
SE-ID - 5175  
SE-ID - 4511  
SE-ID - 4515

# Technological Advantages

## Across All Markets and Sectors

### SE-ID IMPACT DETACHER A SERIES - APPLICATION OVERVIEW

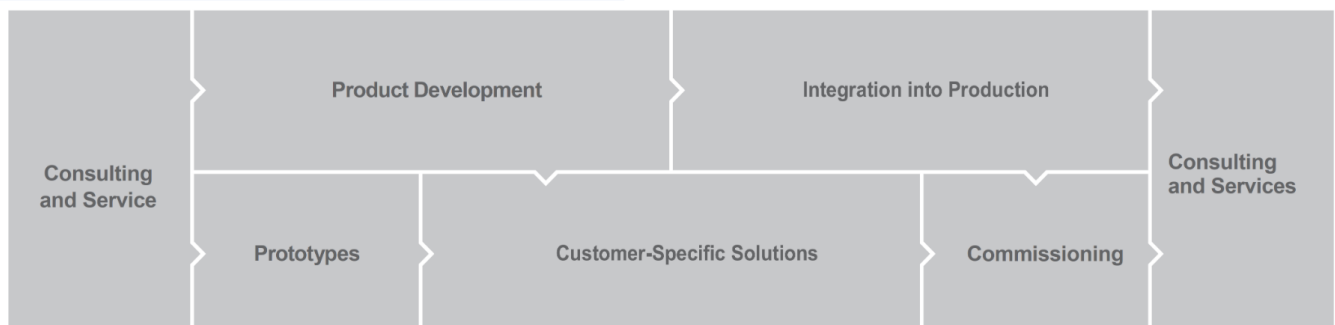
The SE-ID Impact Detacher A Series is designed to improve flour quality by efficiently detaching adhered particles after the grinding process. It plays a critical role in modern milling lines by gently separating flour particles from semolina and bran without damaging the product structure. This machine ensures a more uniform particle size distribution, enhances flour brightness, and supports higher milling efficiency. Thanks to its optimized impact and rotor design, the SE-ID Impact Detacher A Series operates with high performance while preserving product integrity. It is ideal for continuous operation in high-capacity flour mills and is engineered for reliable, stable, and low-maintenance use.

#### FEATURES & ADVANTAGES

- ▶ Efficient detachment of adhered flour particles after grinding
- ▶ Improves flour quality, brightness, and uniformity
- ▶ Optimized impact system for gentle yet effective separation
- ▶ Supports higher milling efficiency and flour yield
- ▶ Continuous and stable operation for industrial use
- ▶ Robust and durable construction for long service life
- ▶ Low energy consumption and reduced operating costs
- ▶ Easy maintenance and reliable performance
- ▶ Compact design for easy integration into existing milling lines

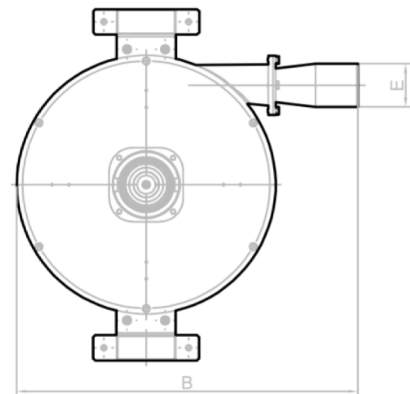
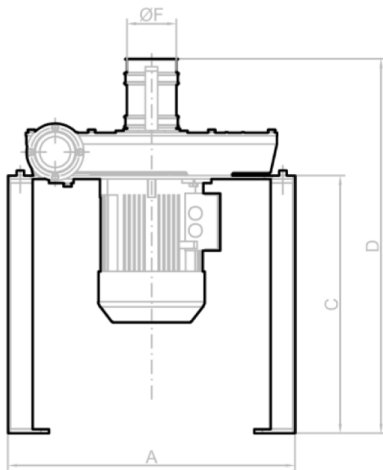
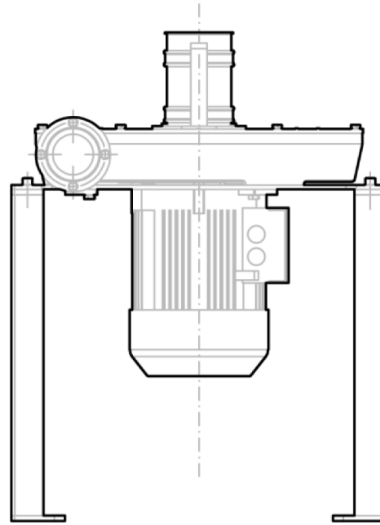
#### APPLICATION FIELDS

- ▶ Flour mills
- ▶ Semolina plants
- ▶ Whole wheat flour mills
- ▶ Bread crumb (galeta) mills
- ▶ Corn flour mills
- ▶ Pasta production facilities
- ▶ Grain and cereal processing plants



# Technical Table

Impact Detacher-A



MODEL MODELE	DIMENSIONS mm.						TECHNICAL FEATURES CARACTERISTIQUES TECHNIQUES				
	A	B	C	D	ØE	ØF	Capacity Capacité t/h	Motor Moteur Kw	Weights - Poids Kg Net Gross-Brut		Volume sous Gross volume emballage m³
SE-ID - 5155	700	806	620	913	57	120	1	5.5	148	232	
SE-ID - 5175					64						
					70						
					76						
					83						
SE-ID - 4511					95	150	2.8	11	190	275	
				102							
				108							
SE-ID - 4515					119		4,1	15	195	290	
				125							

# SEDIROGLU GROUP DELIVERS COMPLETE SOLUTIONS ACROSS VARIOUS INDUSTRIES, COMBINING DEEP TECHNICAL EXPERTISE WITH A DIVERSE AND EXTENSIVE PRODUCT RANGE TO MEET A WIDE SPECTRUM OF CUSTOMER NEEDS.

FACING A DEVELOPMENT CHALLENGE? WE PROVIDE THE SOLUTION.  
AT SEDIROGLU GROUP, OUR EXPERIENCED R&D TEAM IS COMMITTED TO CONTINUOUS IMPROVEMENT.  
MANY INDUSTRY INNOVATIONS HAVE ORIGINATED FROM OUR COMPANY.  
WE ARE DRIVEN BY A FORWARD-THINKING MINDSET AND A PIONEERING SPIRIT IN EVERY STEP WE TAKE.

## CONTACT – WORLDWIDE

With 12 branches around the world and marketing teams in over 70 countries, we provide you with outstanding service worthy of a technology leader.

We look forward to hearing from you!

<https://sediroglugroup.com/contact>



## AT YOUR SERVICE 24/7 – OUR VIRTUAL BOOTH

With impressive features like animated shots, clickable hotspots, and rotatable 3D models, we are confident our online presentations will truly impress you.

<https://sediroglugroup.com/products>



## DISCOVER MORE ABOUT THIS PRODUCT

Scan the QR code to access detailed technical specifications, application insights, high-quality visuals, and interactive digital content related to this product.

<https://sediroglugroup.com/products/impact-detacher-a>



HEAD OFFICE:  
**SEDIROGLU GROUP**  
Turkey, Çorum  
T +90 541 620 03 22  
E Mail : [info@sediroglu.com](mailto:info@sediroglu.com)  
E Mail : [info@sediroglugroup.com](mailto:info@sediroglugroup.com)

[www.sediroglugroup.com](http://www.sediroglugroup.com)

**Sediroglu**  
GROUP machine