

Latest Innovations

Innovative solutions developed
across all areas of technology

Spare Part Catalog

Filter Bag Cleaning Line

SE-FBF-120/160

Technological Advantages

Across All Markets and Sectors

SE-FBF FILTER BAG CLEANING LINE - SPARE PARTS APPLICATION OVERVIEW

The spare parts for the SE-FBF Filter Bag Cleaning Line are precisely engineered to ensure efficient mechanical cleaning of filter bags, stable brush movement, and long-term operational reliability. The SE-FBF model is a dedicated filter bag cleaning line, operating without integrated dust filtration or aspiration units, and is designed exclusively for the mechanical regeneration of used filter bags. All spare parts used in the SE-FBF Filter Bag Cleaning Line – including brush assemblies, brush cleaning motors, shafts, bearing systems, housings, covers, guide components, and mechanical transmission elements – are manufactured to provide uniform brush contact, synchronized rotation, and controlled cleaning pressure along the entire filter bag surface. These components work together to effectively remove accumulated dust, flour residues, and compacted particles from filter fabrics without causing structural damage or deformation. Produced from high-quality steel, wear-resistant plastics, precision bearings, and industrial-grade mechanical components, SE-FBF spare parts minimize vibration, reduce mechanical wear, and ensure stable performance during continuous operation. Properly matched spare parts also help maintain consistent cleaning quality across multiple cleaning cycles.

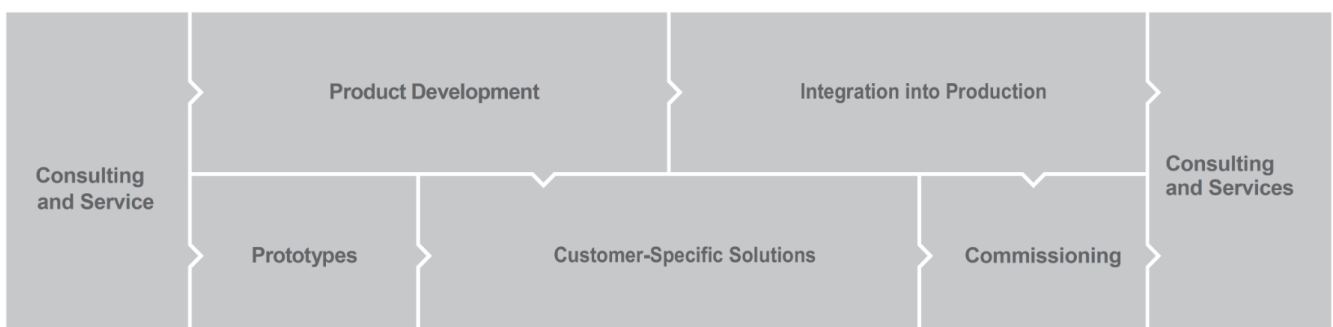
FEATURES & ADVANTAGES – SPARE PARTS

- ▶ Specifically designed for SE-FBF FILTER BAG CLEANING LINE
- ▶ Dedicated mechanical cleaning system (filterless operation)
- ▶ Ensures uniform and controlled brush contact on filter bags
- ▶ Supports synchronized brush rotation and stable motor performance
- ▶ Manufactured from high-quality, wear-resistant industrial materials
- ▶ Reduces mechanical wear and unplanned machine downtime

INSTALLATION & OPERATION GUIDELINES – SPARE PARTS

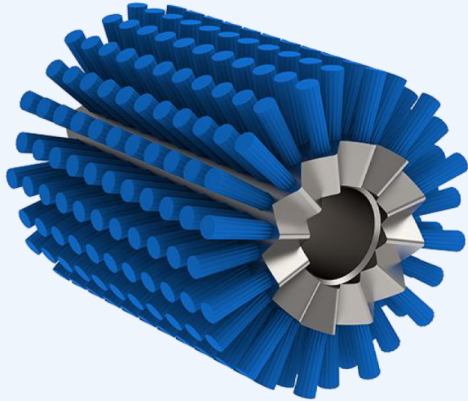
When replacing spare parts on the SE-FBF Filter Bag Cleaning Line, observe the following guidelines:

- ▶ Use only original Sediroglu Group spare parts
- ▶ Verify compatibility with the SE-FBF Filter Bag Cleaning Line model
- ▶ Shut down the machine completely before maintenance
- ▶ Disconnect electrical power before working on motors or rotating components
- ▶ Use appropriate personal protective equipment during installation
- ▶ Ensure correct alignment of brushes, shafts, and motors
- ▶ Secure all mechanical fasteners and couplings firmly
- ▶ Keep the installation area clean to guarantee smooth and stable mechanical operation



All Spare Parts List

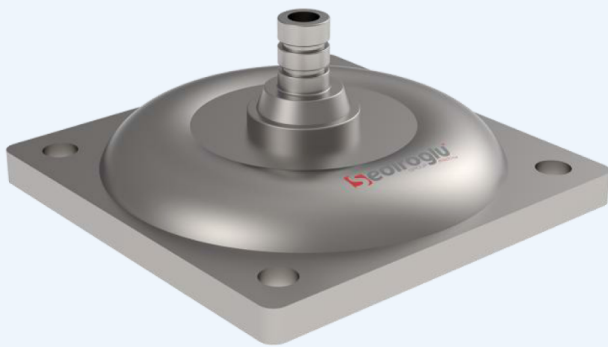
Product Code: SE-FBF-A1140



Product Code: SE-FBF-A1141



Product Code: SE-FBF-A1142



Product Code: SE-FBF-A1143



Product Code: SE-FBF-A1144



Product Code: SE-FBF-A1145



All Spare Parts List

Product Code: SE-FBF-A1146



Product Code: SE-FBF-A1147



Product Code: SE-FBF-A1148

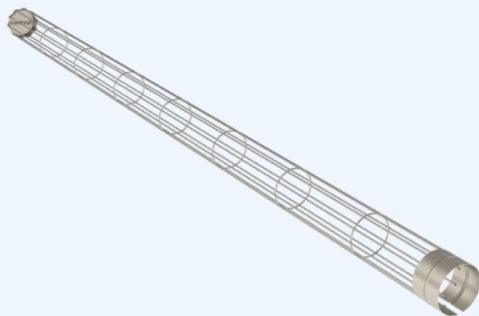


Product Code: SE-FBF-A1149



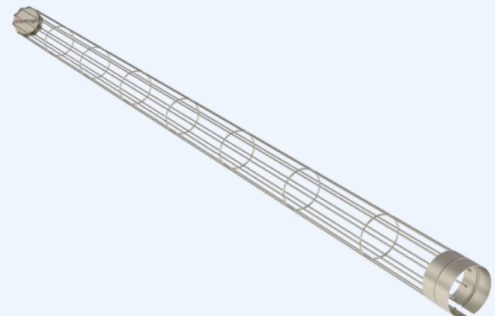
Product Code: SE-FBF-A1150

120X1200 mm



Product Code: SE-FBF-A1151

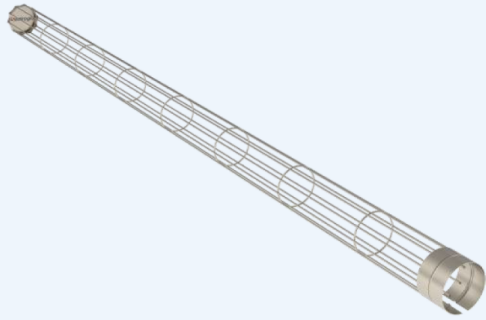
120X1800 mm



All Spare Parts List

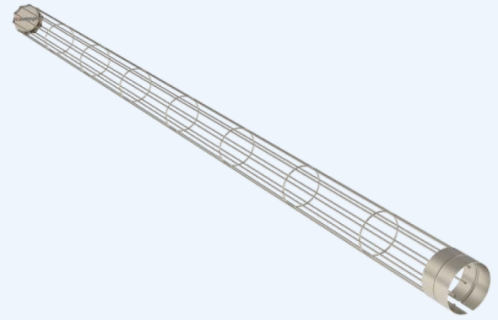
Product Code: SE-FBF-A1152

120X2400 mm



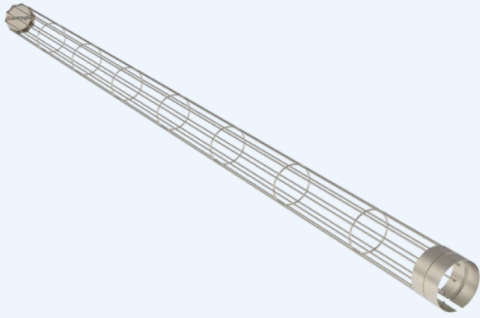
Product Code: SE-FBF-A1153

120X3000 mm



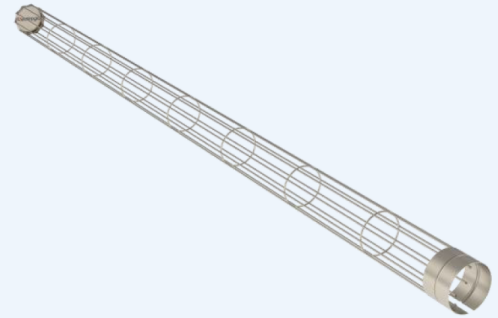
Product Code: SE-FBF-A1154

150x1200 mm



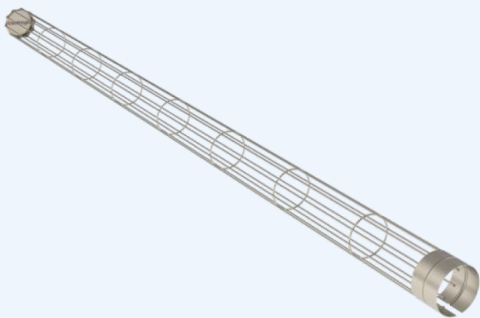
Product Code: SE-FBF-A1155

150x1800 mm



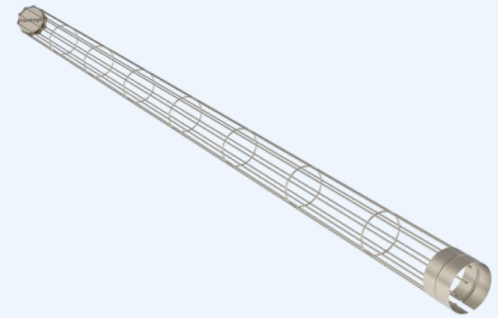
Product Code: SE-FBF-A1156

150X2400 mm



Product Code: SE-FBF-A1157

150X3000 mm



All Spare Parts List

Product Code: SE-FBF-A1158

120X1200 mm



Product Code: SE-FBF-A1159

120X1800 mm



Product Code: SE-FBF-A1160

120x2400 mm



Product Code: SE-FBF-A1161

120x3000 mm



Product Code: SE-FBF-A1162

150X1200 mm



Product Code: SE-FBF-A1163

150X1800 mm



All Spare Parts List

Product Code: SE-FBF-A1164

150X2400 mm

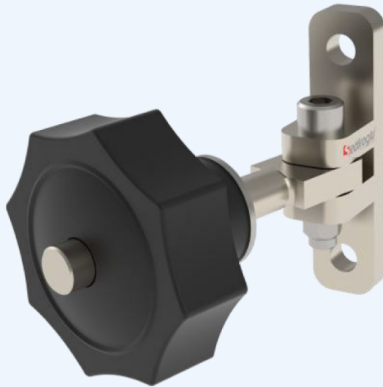


Product Code: SE-FBF-A1165

150X3000 mm



Product Code: SE-FBF-A1166



Product Code: SE-FBF-A1167



Product Code: SE-FBF-A1168

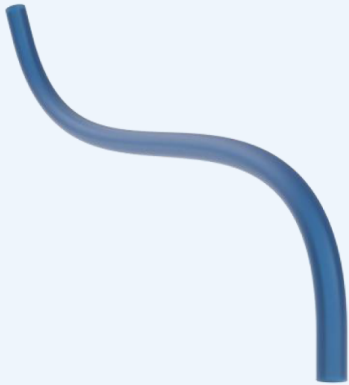


Product Code: SE-FBF-A1169

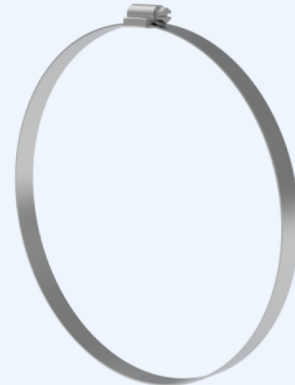


All Spare Parts List

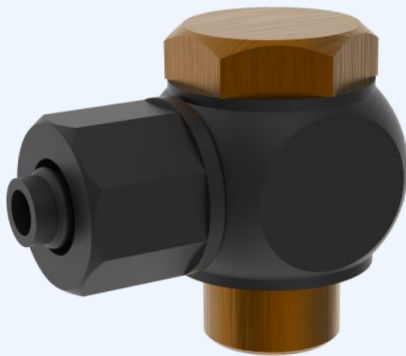
Product Code: SE-FBF-A1170



Product Code: SE-FBF-A1171



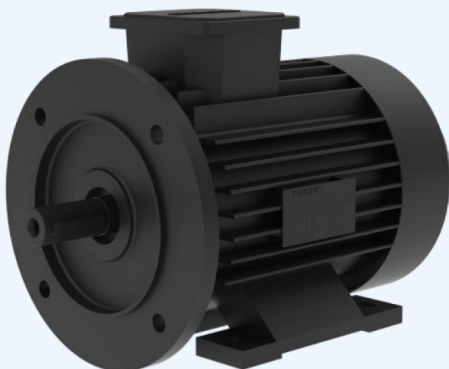
Product Code: SE-FBF-A1172



Product Code: SE-FBF-A1173



Product Code: SE-FBF-A1174

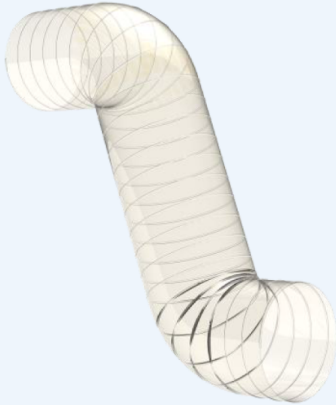


Product Code: SE-FBF-A1175



All Spare Parts List

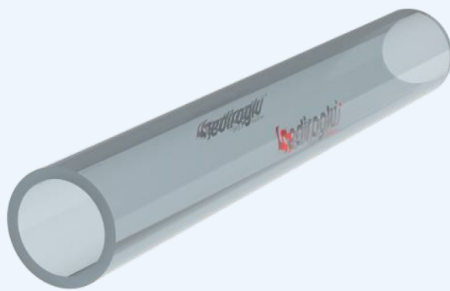
Product Code: SE-FBF-A1176



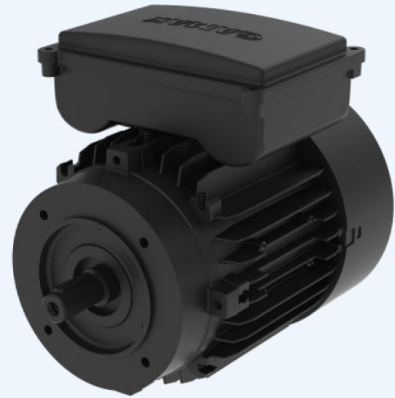
Product Code: SE-FBF-A1177



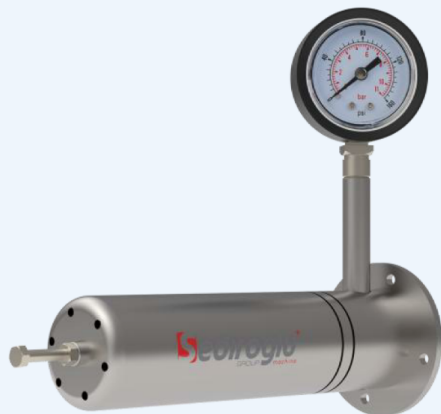
Product Code: SE-FBF-A1178



Product Code: SE-FBF-A1179



Product Code: SE-FBF-A1180



SEDIROGLU GROUP DELIVERS COMPLETE SOLUTIONS ACROSS VARIOUS INDUSTRIES, COMBINING DEEP TECHNICAL EXPERTISE WITH A DIVERSE AND EXTENSIVE PRODUCT RANGE TO MEET A WIDE SPECTRUM OF CUSTOMER NEEDS.

FACING A DEVELOPMENT CHALLENGE? WE PROVIDE THE SOLUTION.
AT SEDIROGLU GROUP, OUR EXPERIENCED R&D TEAM IS COMMITTED TO CONTINUOUS IMPROVEMENT.
MANY INDUSTRY INNOVATIONS HAVE ORIGINATED FROM OUR COMPANY.
WE ARE DRIVEN BY A FORWARD-THINKING MINDSET AND A PIONEERING SPIRIT IN EVERY STEP WE TAKE.

CONTACT – WORLDWIDE

With 12 branches around the world and marketing teams in over 70 countries, we provide you with outstanding service worthy of a technology leader.

We look forward to hearing from you!

<https://sedirolugroup.com/contact>



AT YOUR SERVICE 24/7 – OUR VIRTUAL BOOTH

With impressive features like animated shots, clickable hotspots, and rotatable 3D models, we are confident our online presentations will truly impress you.

<https://sedirolugroup.com/spare-parts>



DISCOVER MORE ABOUT THIS PRODUCT

Scan the QR code to access detailed technical specifications, application insights, high-quality visuals, and interactive digital content related to this product.

<https://sedirolugroup.com/spare-parts/filter-bag-cleaning-line-spare-parts>



HEAD OFFICE:
SEDIROGLU GROUP
Turkey, Çorum
T +90 541 620 03 22
E Mail : info@sedirolu.com

www.sedirolugroup.com

Sedirolu
GROUP machine