

Latest Innovations

Innovative solutions developed across all areas of technology.

Spare Part Catalog

Volumetric Measurer

SE-PCL 24-30
SE-PCL 25-35
SE-PCL 25-40

Technological Advantages

Across All Markets and Sectors

SE-PCL VOLUMETRIC MEASURER- SPARE PARTS APPLICATION OVERVIEW

Spare parts for the Volumetric Measurer are specifically engineered to ensure accurate volumetric dosing, stable rotor rotation, precise flow control, and continuous operation in grain handling and milling systems. Each spare part plays a vital role in maintaining consistent product blending, controlled discharge rates, and reliable performance under high-capacity production conditions. Key spare parts include inner rotor flaps with calibrated flow channels, heat-treated and CNC-machined dosing rotors, slide dampers, adjustment mechanisms, drive shafts, sealed bearings, bearing housings, direct-coupled motor connection elements, inspection covers, sealing gaskets, fasteners, and structural support components. All parts are manufactured with high dimensional accuracy to guarantee precise fit, smooth operation, and repeatable dosing performance.

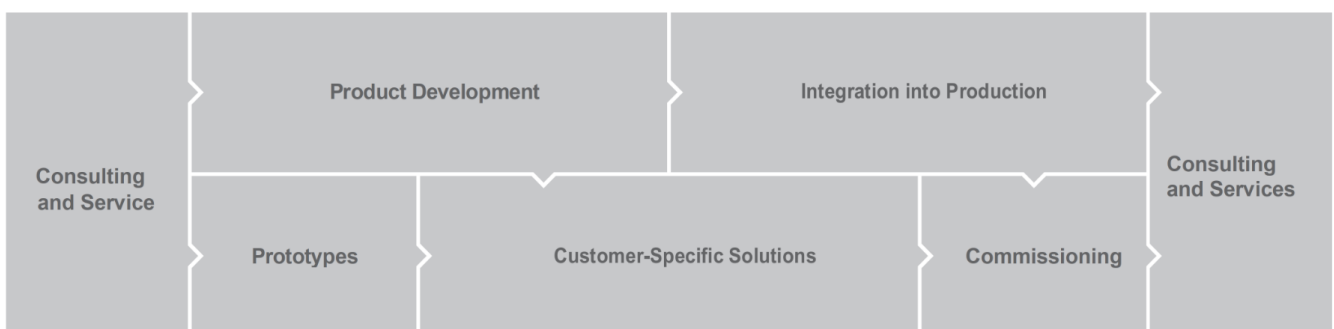
FEATURES & ADVANTAGES – SPARE PARTS

- ▶ Designed specifically for Volumetric Measurer systems for precise fit
- ▶ Manufactured from heat-treated, CNC-machined, and industrial-grade materials
- ▶ Supports accurate volumetric dosing and stable product flow control
- ▶ Reduces wear, vibration, and unplanned production downtime
- ▶ Ensures smooth rotor rotation and reliable damper operation
- ▶ Easy inspection, replacement, and routine maintenance
- ▶ Long service life under continuous milling and grain processing conditions

INSTALLATION & OPERATION GUIDELINES – SPARE PARTS

When replacing Volumetric Measurer spare parts, follow these essential guidelines:

- ▶ Use original SEDIROGLU GROUP spare parts only
- ▶ Confirm compatibility with the Volumetric Measurer model and capacity
- ▶ Switch off the machine and isolate all power sources before installation
- ▶ Ensure correct rotor, damper, and shaft alignment during assembly
- ▶ Tighten bearings, fasteners, and connection elements to specifications
- ▶ Check sealing points to prevent material leakage and flow deviation



All Spare Parts List

Product Code: SE-YDK-A1100



Product Code: SE-YDK-A1101



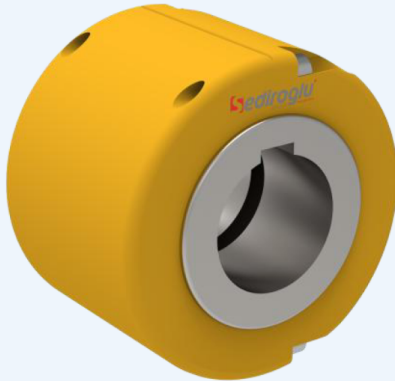
Product Code: SE-YDK-A1102



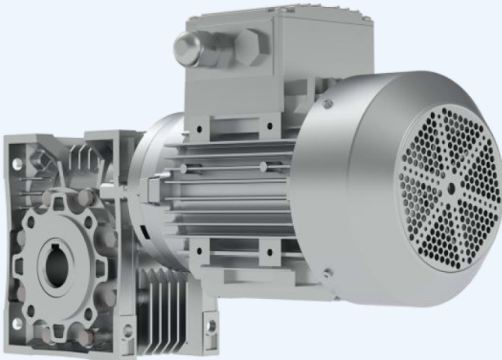
Product Code: SE-YDK-A1103



Product Code: SE-YDK-A1104

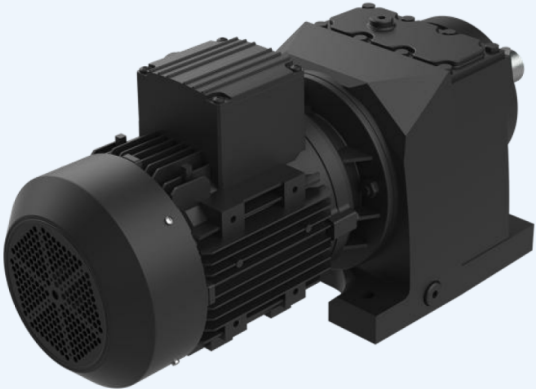


Product Code: SE-YDK-A1105

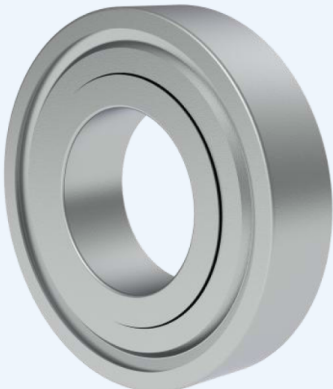


All Spare Parts List

Product Code: SE-YDK-A1106



Product Code: SE-YDK-A1107



SEDIROGLU GROUP DELIVERS COMPLETE SOLUTIONS ACROSS VARIOUS INDUSTRIES, COMBINING DEEP TECHNICAL EXPERTISE WITH A DIVERSE AND EXTENSIVE PRODUCT RANGE TO MEET A WIDE SPECTRUM OF CUSTOMER NEEDS.

FACING A DEVELOPMENT CHALLENGE? WE PROVIDE THE SOLUTION.
AT SEDIROGLU GROUP, OUR EXPERIENCED R&D TEAM IS COMMITTED TO CONTINUOUS IMPROVEMENT.
MANY INDUSTRY INNOVATIONS HAVE ORIGINATED FROM OUR COMPANY.
WE ARE DRIVEN BY A FORWARD-THINKING MINDSET AND A PIONEERING SPIRIT IN EVERY STEP WE TAKE.

CONTACT – WORLDWIDE

With 12 branches around the world and marketing teams in over 70 countries, we provide you with outstanding service worthy of a technology leader.

We look forward to hearing from you!

<https://sedirolugroup.com/contact>



AT YOUR SERVICE 24/7 – OUR VIRTUAL BOOTH

With impressive features like animated shots, clickable hotspots, and rotatable 3D models, we are confident our online presentations will truly impress you.

<https://sedirolugroup.com/spare-parts>



DISCOVER MORE ABOUT THIS PRODUCT

Scan the QR code to access detailed technical specifications, application insights, high-quality visuals, and interactive digital content related to this product.

<https://sedirolugroup.com/spare-parts/volumetric-measurer-spare-parts>



HEAD OFFICE:
SEDIROGLU GROUP
Turkey, Çorum
T +90 541 620 03 22
E Mail : info@sedirolgu.com

www.sedirolugroup.com

Sedirolgu
GROUP machine