

## Latest Innovations

Innovative solutions developed  
across all areas of technology.

Spare Part Catalog

Rotary Airlock Valve

SE-AC-25-21  
SE-AC-25-27  
SE-AC-25-33

# Technological Advantages

## Across All Markets and Sectors

### SE-AC ROTARY AIRLOCK VALVE - SPARE PARTS APPLICATION OVERVIEW

The spare parts for the Rotary Airlock Valve are specifically designed to ensure precise material dosing, airtight sealing, stable rotation, and continuous operation in pneumatic conveying and dust collection systems. Each spare part, including rotors, rotor blades (vanes), shafts, sealed bearings, bearing housings, end covers, shaft seals, inspection mica glasses, rubber gaskets, flanges, drive couplings, and geared motor connection components, is manufactured with high dimensional accuracy to guarantee reliable performance. Produced from heat-treated cast iron, CNC-machined steel components, wear-resistant alloys, industrial rubber, and sealed bearing systems, Rotary Airlock Valve spare parts provide excellent resistance to abrasion, pressure differences, dust penetration, and long-term mechanical stress. These components ensure consistent product discharge, prevent air leakage, protect downstream systems, and maintain stable airflow balance in pneumatic and gravity-fed applications. SEDIROGLU GROUP original spare parts are fully compatible with all Rotary Airlock Valve models and capacities. They support hygienic operation, minimize unplanned downtime, extend service life, and ensure compliance with modern flour milling, grain processing, feed production, cement, recycling, and industrial dust handling standards.

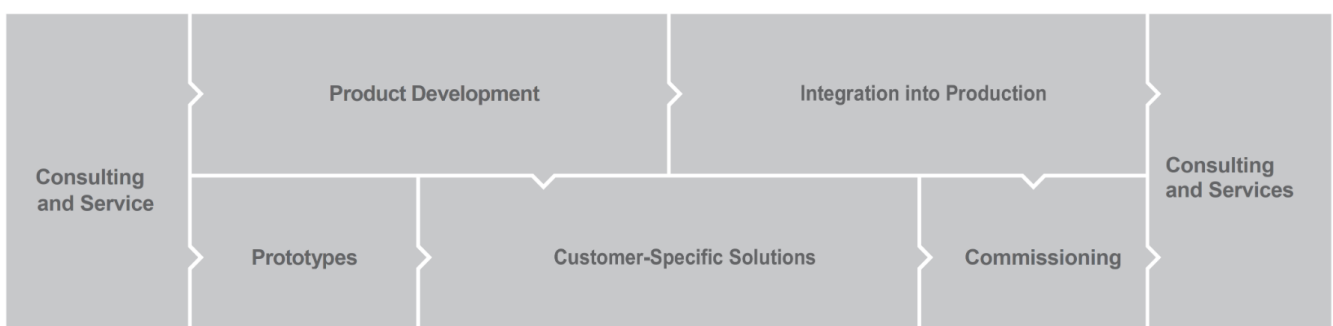
#### FEATURES & ADVANTAGES – SPARE PARTS

- ▶ Designed specifically for Rotary Airlock Valve systems for perfect fit
- ▶ Manufactured from heat-treated, wear-resistant, and industrial-grade materials
- ▶ Ensures airtight sealing and precise material discharge
- ▶ Reduces air leakage and protects pneumatic conveying efficiency
- ▶ Minimizes mechanical wear and operational downtime
- ▶ Supports smooth rotor rotation and stable flow control
- ▶ Easy inspection, replacement, and maintenance
- ▶ Long service life under continuous industrial operating conditions

#### INSTALLATION & OPERATION GUIDELINES – SPARE PARTS

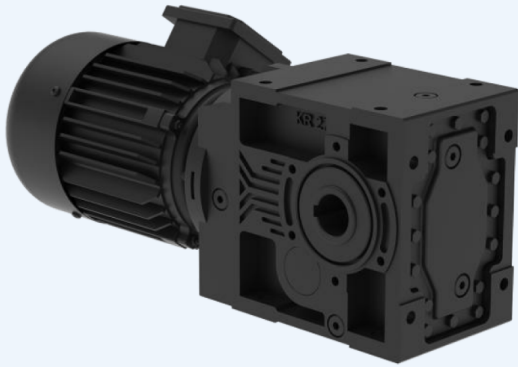
When replacing Rotary Airlock Valve spare parts, follow these essential guidelines:

- ▶ Use original SEDIROGLU GROUP spare parts only
- ▶ Confirm compatibility with the Rotary Airlock Valve model and size
- ▶ Switch off and isolate electrical and pneumatic systems before replacement
- ▶ Wear appropriate personal protective equipment during installation
- ▶ Ensure correct rotor alignment and shaft positioning
- ▶ Tighten flanges, bearings, and fasteners according to specifications
- ▶ Check sealing elements to prevent air and dust leakage



# All Spare Parts List

Product Code: SE-YDK-A1000



Product Code: SE-YDK-A1001



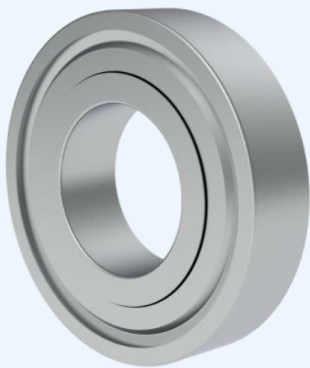
Product Code: SE-YDK-A1002



Product Code: SE-YDK-A1003



Product Code: SE-YDK-A1004



Product Code: SE-YDK-A1005



SEDIROGLU GROUP DELIVERS COMPLETE SOLUTIONS ACROSS VARIOUS INDUSTRIES, COMBINING DEEP TECHNICAL EXPERTISE WITH A DIVERSE AND EXTENSIVE PRODUCT RANGE TO MEET A WIDE SPECTRUM OF CUSTOMER NEEDS.

FACING A DEVELOPMENT CHALLENGE? WE PROVIDE THE SOLUTION.  
AT SEDIROGLU GROUP, OUR EXPERIENCED R&D TEAM IS COMMITTED TO CONTINUOUS IMPROVEMENT.  
MANY INDUSTRY INNOVATIONS HAVE ORIGINATED FROM OUR COMPANY.  
WE ARE DRIVEN BY A FORWARD-THINKING MINDSET AND A PIONEERING SPIRIT IN EVERY STEP WE TAKE.

#### CONTACT – WORLDWIDE

With 12 branches around the world and marketing teams in over 70 countries, we provide you with outstanding service worthy of a technology leader.

We look forward to hearing from you!

<https://sedirolugroup.com/contact>



#### AT YOUR SERVICE 24/7 – OUR VIRTUAL BOOTH

With impressive features like animated shots, clickable hotspots, and rotatable 3D models, we are confident our online presentations will truly impress you.

<https://sedirolugroup.com/spare-parts>



#### DISCOVER MORE ABOUT THIS PRODUCT

Scan the QR code to access detailed technical specifications, application insights, high-quality visuals, and interactive digital content related to this product.

<https://sedirolugroup.com/spare-parts/dust-collector-rotary-spare-part>



HEAD OFFICE:  
**SEDIROGLU GROUP**  
Turkey, Çorum  
T +90 541 620 03 22  
E Mail : [info@sedirolgu.com](mailto:info@sedirolgu.com)

[www.sedirolugroup.com](http://www.sedirolugroup.com)

**Sedirolgu**  
GROUP machine