

Latest Innovations

Innovative solutions developed
across all areas of technology.

Spare Part Catalog

Pneumatic Magnetic Separator

SE-MXM-350
SE-MXM-650
SE-MXM-950

Technological Advantages

Across All Markets and Sectors

SE-MXM PNEUMATIC MAGNETIC SEPARATOR - SPARE PARTS APPLICATION OVERVIEW

Spare parts for the SE-MXM Pneumatic Magnetic Separator are engineered to ensure reliable magnetic separation, stable pneumatic actuation, and safe, continuous operation in industrial processing lines. Each spare component is precisely manufactured to support accurate opening and closing of the internal magnetic flap system, consistent material flow, and effective ferrous metal removal. Critical parts such as pneumatic cylinders, valve units, bearings, flanges, fittings, magnetic housings, seals, and mechanical connection elements are produced with tight tolerances to withstand vibration, pressure fluctuations, and continuous-duty operation. High-grade steel, reinforced polymers, wear-resistant sealing materials, and long-life bearing solutions are used to ensure durability and operational stability. Original Sediroglu spare parts help maintain optimal magnetic performance, protect downstream equipment from metal contamination, and minimize unplanned downtime. Their use supports smooth separator operation, reduced mechanical stress, and extended service life of the machine.

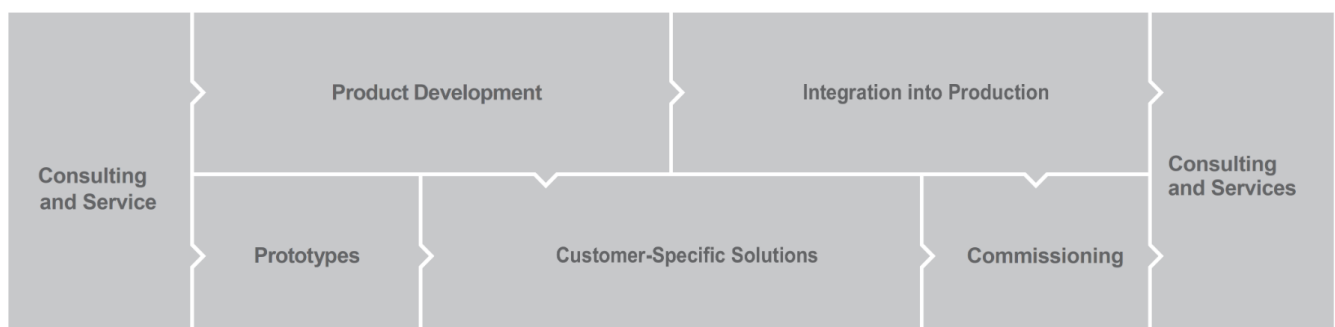
FEATURES & ADVANTAGES – SPARE PARTS

- ▶ Manufactured from high-quality industrial materials (reinforced steel, precision bearings, durable pneumatic components)
- ▶ Designed to support precise pneumatic control of the magnetic flap mechanism
- ▶ Ensures reliable and consistent ferrous metal separation performance
- ▶ Resistant to vibration, pressure fluctuations, and continuous industrial operation
- ▶ Fully compatible with all SE-MXM Pneumatic Magnetic Separator configurations
- ▶ Supports stable material flow and safe separator operation
- ▶ Protects downstream equipment from metal contamination

INSTALLATION & OPERATION GUIDELINES – SPARE PARTS

When replacing Pneumatic Magnetic Separator spare parts, follow these key steps:

- ▶ Use genuine Sediroglu Group parts only
- ▶ Confirm compatibility with your machine model
- ▶ Power off the machine before any replacement
- ▶ Wear safety equipment during handling
- ▶ Align and tension all moving parts properly
- ▶ Ensure the installation area is clean

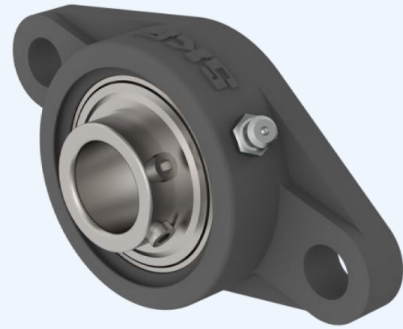


All Spare Parts List

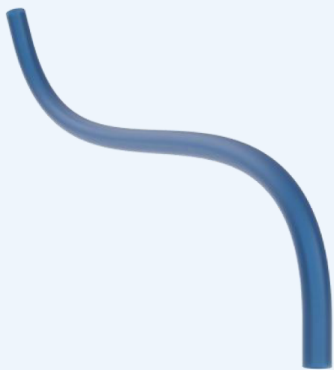
Product Code: SE-YDK-A0150



Product Code: SE-YDK-A0151



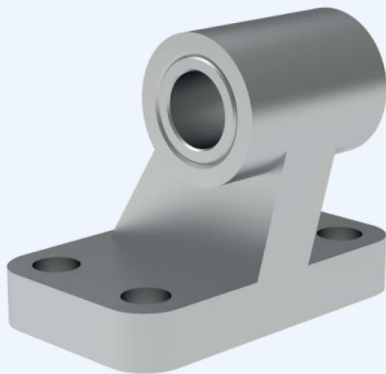
Product Code: SE-YDK-A0152



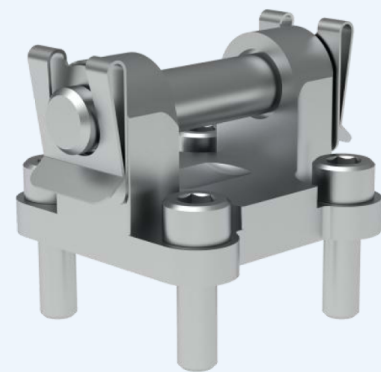
Product Code: SE-YDK-A0153



Product Code: SE-YDK-A0154



Product Code: SE-YDK-A0155

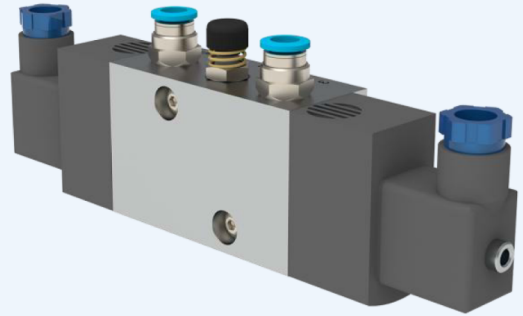


All Spare Parts List

Product Code: SE-YDK-A0156



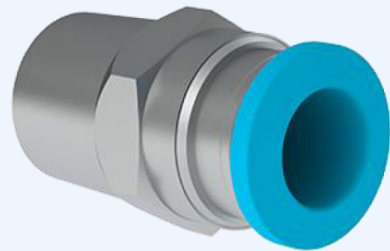
Product Code: SE-YDK-A0157



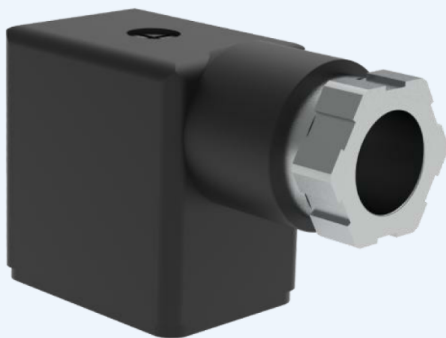
Product Code: SE-YDK-A0158



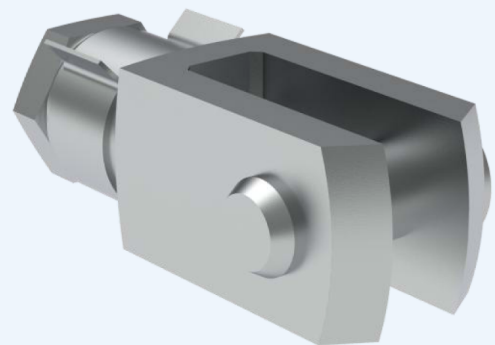
Product Code: SE-YDK-A0159



Product Code: SE-YDK-A0160



Product Code: SE-YDK-A0161



SEDIROGLU GROUP DELIVERS COMPLETE SOLUTIONS ACROSS VARIOUS INDUSTRIES, COMBINING DEEP TECHNICAL EXPERTISE WITH A DIVERSE AND EXTENSIVE PRODUCT RANGE TO MEET A WIDE SPECTRUM OF CUSTOMER NEEDS.

FACING A DEVELOPMENT CHALLENGE? WE PROVIDE THE SOLUTION.
AT SEDIROGLU GROUP, OUR EXPERIENCED R&D TEAM IS COMMITTED TO CONTINUOUS IMPROVEMENT.
MANY INDUSTRY INNOVATIONS HAVE ORIGINATED FROM OUR COMPANY.
WE ARE DRIVEN BY A FORWARD-THINKING MINDSET AND A PIONEERING SPIRIT IN EVERY STEP WE TAKE.

CONTACT – WORLDWIDE

With 12 branches around the world and marketing teams in over 70 countries, we provide you with outstanding service worthy of a technology leader.

We look forward to hearing from you!

<https://sedirolugroup.com/contact>



AT YOUR SERVICE 24/7 – OUR VIRTUAL BOOTH

With impressive features like animated shots, clickable hotspots, and rotatable 3D models, we are confident our online presentations will truly impress you.

<https://sedirolugroup.com/spare-parts>



DISCOVER MORE ABOUT THIS PRODUCT

Scan the QR code to access detailed technical specifications, application insights, high-quality visuals, and interactive digital content related to this product.

<https://sedirolugroup.com/spare-parts/pneumatic-magnetic-separator-spare-parts>



HEAD OFFICE:
SEDIROGLU GROUP
Turkey, Çorum
T +90 541 620 03 22
E Mail : info@sedirolgu.com

www.sedirolugroup.com

Sedirolgu
GROUP machine