

Latest Innovations

Innovative solutions developed across all areas of technology.

Product Catalogue

Intensive Scourer

SE-IS - 3010

SE-IS - 3013

SE-IS - 4013

Technological Advantages

Across All Markets and Sectors

SE-IS INTENSIVE SCOURER- APPLICATION OVERVIEW

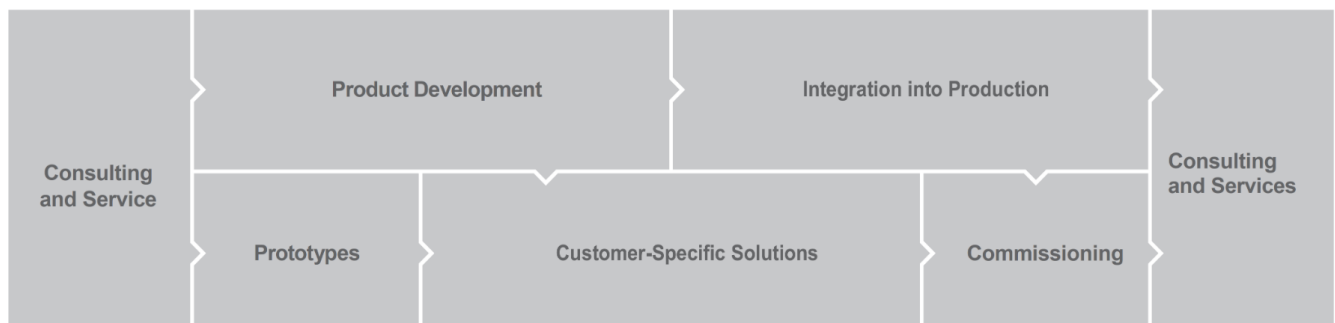
The SE-IS Intensive Scourer is a high-performance grain cleaning machine designed to intensively clean the surface of cereals by removing adhering dust, soil, husk residues, and other light contaminants through mechanical friction. By applying controlled impact and abrasion, the machine effectively polishes grain surfaces, significantly improving product cleanliness before further processing. Equipped with a precisely engineered rotor and impact elements, the Intensive Scourer ensures uniform treatment of the product while maintaining grain integrity. The optimized internal design allows continuous material flow, ensuring consistent cleaning efficiency across varying capacity ranges. Contaminants loosened during the process are efficiently separated and discharged, resulting in a cleaner and more homogeneous product. Designed for continuous and stable industrial operation, the SE-IS Intensive Scourer is widely used in grain cleaning, pre-cleaning, and conditioning sections of flour mills, semolina plants, and cereal processing facilities. Its heavy-duty steel construction, wear-resistant internal components, and low-maintenance design provide long service life and reliable performance. By improving grain surface quality, the machine enhances downstream processing efficiency, protects milling equipment, and supports hygienic, safe, and high-quality production standards.

FEATURES & ADVANTAGES

- ▶ Uniform scouring performance without damaging grain structure
- ▶ Improves grain cleanliness and processing quality
- ▶ Reliable removal of stones and heavy impurities without product loss
- ▶ Continuous and stable operation for industrial use
- ▶ Robust, wear-resistant construction for long service life
- ▶ Low maintenance design reducing downtime
- ▶ Energy-efficient operation with optimized power use
- ▶ Protects downstream equipment from abrasive impurities

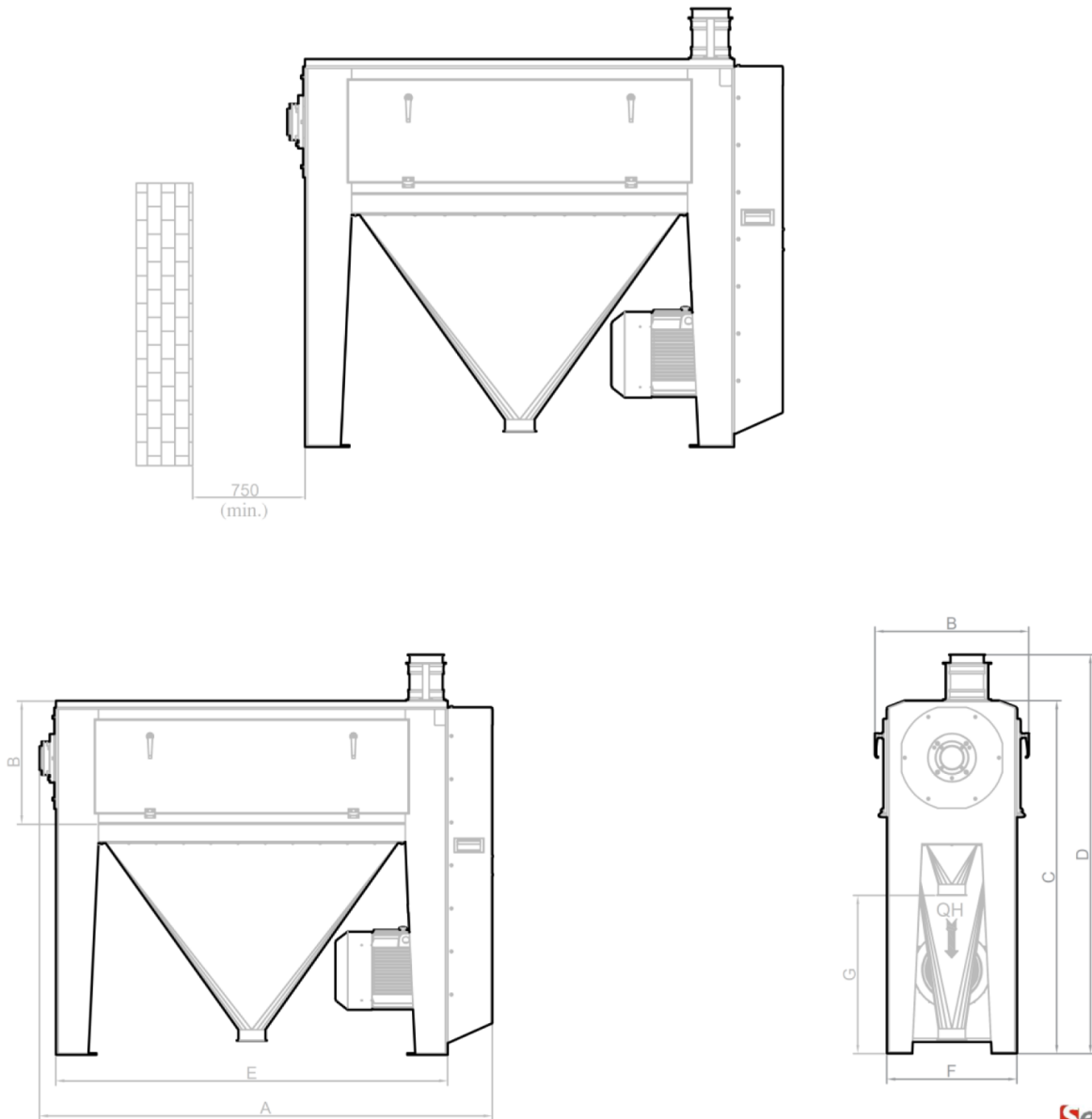
APPLICATION FIELDS

- ▶ Flour mills
- ▶ Semolina production plants
- ▶ Grain cleaning plants
- ▶ Grain conditioning facilities
- ▶ Corn processing factories
- ▶ Cocoa processing plants
- ▶ Grain preparation lines for food-grade outputs



Technical Table

Intensive Scourer



MODEL MODELE	DIMENSIONS mm.										TECHNICAL FEATURES CARACTERISTIQUES TECHNIQUES							
	A	B	C	D	E	F	G	øH	øI	øJ	Capacity - Capacité t/h				Motor Moteur Kw	Weights - Poids Kg		Gross volume Volume sous emballage m³
											Soft wheat - Ble tendre		Hard wheat - Ble dur			Net	Gross-Brut	
											1st Cleaning 1er Nettoyage	2nd Cleaning 2e Nettoyage	1st Cleaning 1er Nettoyage	2nd Cleaning 2e Nettoyage				
SE-IS -3010	1700				1430			120	120	120	6	5	5	4	7,5	543	689	3,9
SE-IS -3013	2070	750	1610	1845	1795	590	795	150	120	150	10	8	8	7	11	600	817	
SE-IS -4013											14	10	10	9				
											16	14	14	12				
											20	16	16	14	18,5			

SEDIROGLU GROUP DELIVERS COMPLETE SOLUTIONS ACROSS VARIOUS INDUSTRIES, COMBINING DEEP TECHNICAL EXPERTISE WITH A DIVERSE AND EXTENSIVE PRODUCT RANGE TO MEET A WIDE SPECTRUM OF CUSTOMER NEEDS.

FACING A DEVELOPMENT CHALLENGE? WE PROVIDE THE SOLUTION.
AT SEDIROGLU GROUP, OUR EXPERIENCED R&D TEAM IS COMMITTED TO CONTINUOUS IMPROVEMENT.
MANY INDUSTRY INNOVATIONS HAVE ORIGINATED FROM OUR COMPANY.
WE ARE DRIVEN BY A FORWARD-THINKING MINDSET AND A PIONEERING SPIRIT IN EVERY STEP WE TAKE.

CONTACT – WORLDWIDE

With 12 branches around the world and marketing teams in over 70 countries, we provide you with outstanding service worthy of a technology leader.

We look forward to hearing from you!

<https://sedirolugroup.com/contact>



AT YOUR SERVICE 24/7 – OUR VIRTUAL BOOTH

With impressive features like animated shots, clickable hotspots, and rotatable 3D models, we are confident our online presentations will truly impress you.

<https://sedirolugroup.com/products>



DISCOVER MORE ABOUT THIS PRODUCT

Scan the QR code to access detailed technical specifications, application insights, high-quality visuals, and interactive digital content related to this product.

<https://sedirolugroup.com/products/intensive-scourer>



HEAD OFFICE:
SEDIROGLU GROUP
Turkey, Çorum
T +90 541 620 03 22
E Mail : info@sedirolu.com
E Mail : info@sedirolugroup.com

www.sedirolugroup.com

Sedirolu
GROUP machine