

Latest Innovations

Innovative solutions developed
across all areas of technology.

Spare Part Catalog

Double Layer Destoner

SE-DCC-80
SE-DCC-120
SE-DCC-180

Technological Advantages

Across All Markets and Sectors

SE-DDC DOUBLE LAYER DESTONER - SPARE PARTS APPLICATION OVERVIEW

The spare parts for the Double Layer Destoner are specifically designed to ensure efficient stone separation, stable vibration performance, and reliable continuous operation in grain cleaning and milling plants. Each component, including vibrating frames, sieve cases, rubber vibration mounts, air control elements, clamps, inspection glasses, rubber parts, bearings, springs, and connection elements, is precisely manufactured to support controlled material flow and accurate separation of heavy impurities.

Produced from high-quality steel, wear-resistant rubber, industrial fabrics, galvanized or stainless metal components, Double Layer Destoner spare parts provide high resistance to vibration, mechanical fatigue, abrasion, and long-term operating conditions. These parts help maintain optimal machine balance, reduce product loss, minimize unplanned downtime, and extend the overall service life of the machine.

Sediroglu Group original spare parts are fully compatible with all Double Layer Destoner models and configurations. They ensure safe operation, consistent destoning efficiency, hygienic processing conditions, and compliance with modern milling, grain cleaning, and industrial processing standards.

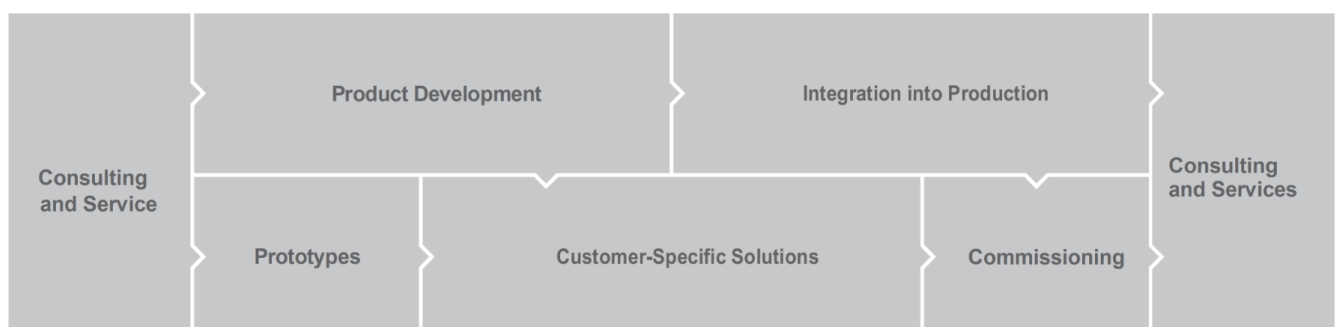
FEATURES & ADVANTAGES – SPARE PARTS

- ▶ Designed specifically for Double Layer Destoner machines to ensure perfect compatibility
- ▶ Manufactured from high-quality steel, wear-resistant rubber, and durable industrial materials
- ▶ Reduces mechanical wear and minimizes unplanned downtime
- ▶ Improves machine balance and operational safety during continuous production
- ▶ Easy inspection, replacement, and maintenance

INSTALLATION & OPERATION GUIDELINES – SPARE PARTS

When replacing Double Layer Destoner spare parts, follow these key steps:

- ▶ Use original Sediroglu Group spare parts only
- ▶ Verify spare part compatibility with the specific Double Layer Destoner model
- ▶ Switch off the machine and secure all power and vibration systems before replacement
- ▶ Wear appropriate personal protective equipment during installation
- ▶ Ensure correct alignment of vibrating frames, sieve cases, and rubber components
- ▶ Tighten all bolts, clamps, and fasteners according to technical specifications
- ▶ Check air control components and seals for proper positioning
- ▶ Keep the installation area clean and free from dust or foreign materials



All Spare Parts List

Product Code: SE-DCC-YDK-600



Product Code: SE-DCC-YDK-601



Product Code: SE-DCC-YDK-602



Product Code: SE-DCC-YDK-603



Product Code: SE-DCC-YDK-604

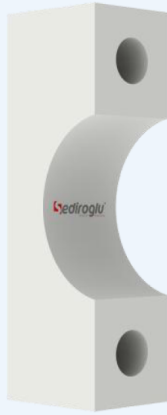


Product Code: SE-DCC-YDK-605



All Spare Parts List

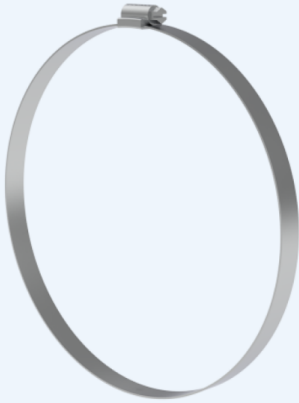
Product Code: SE-DCC-YDK-606



Product Code: SE-DCC-YDK-607



Product Code: SE-DCC-YDK-608



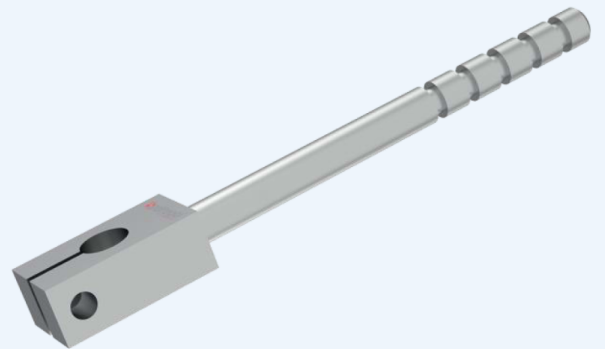
Product Code: SE-DCC-YDK-609



Product Code: SE-DCC-YDK-610



Product Code: SE-DCC-YDK-611

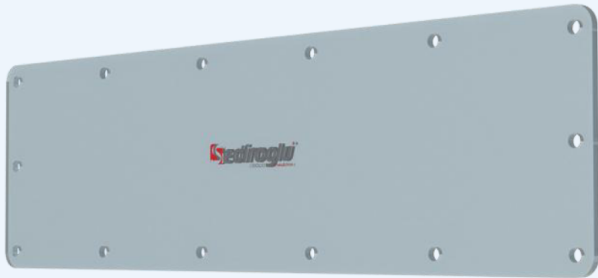


All Spare Parts List

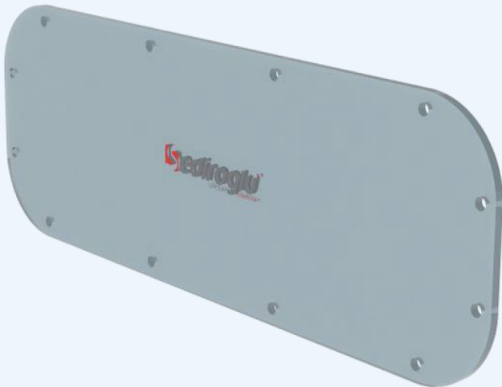
Product Code: SE-DCC-YDK-612



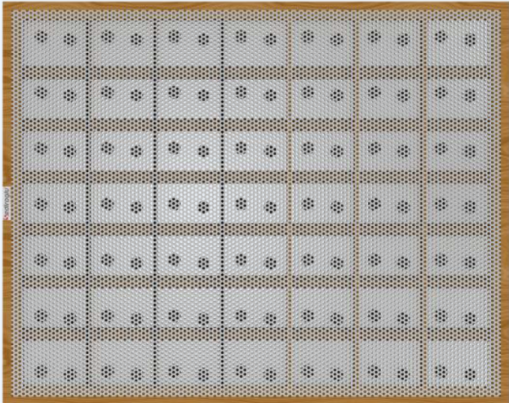
Product Code: SE-DCC-YDK-613



Product Code: SE-DCC-YDK-614



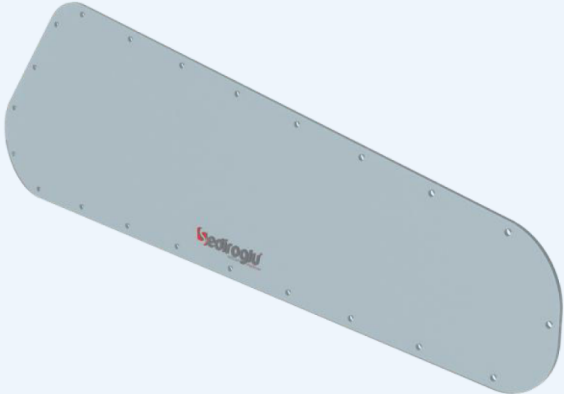
Product Code: SE-DCC-YDK-615



Product Code: SE-DCC-YDK-616



Product Code: SE-DCC-YDK-617



All Spare Parts List

Product Code: SE-DCC-YDK-618



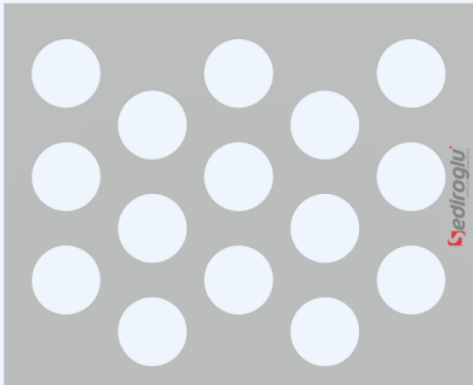
Product Code: SE-DCC-YDK-619



Product Code: SE-DCC-YDK-620



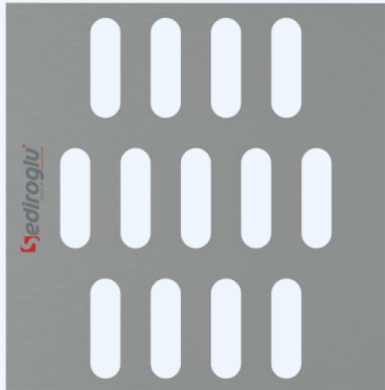
Product Code: SE-DCC-YDK-621



Product Code: SE-DCC-YDK-622

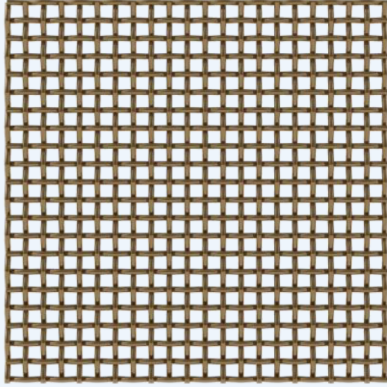


Product Code: SE-DCC-YDK-623

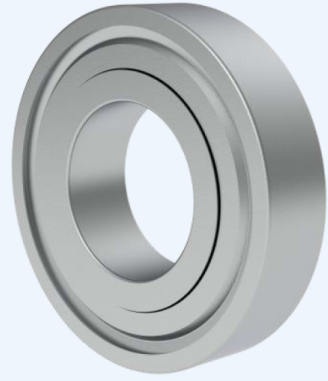


All Spare Parts List

Product Code: SE-DCC-YDK-624



Product Code: SE-DCC-YDK-625



Product Code: SE-DCC-YDK-626



Product Code: SE-DCC-YDK-627



Product Code: SE-DCC-YDK-628



Product Code: SE-DCC-YDK-629



All Spare Parts List

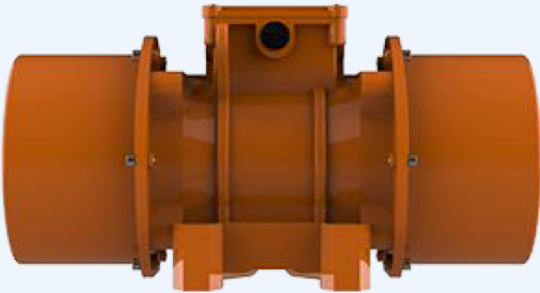
Product Code: SE-DCC-YDK-630



Product Code: SE-DCC-YDK-631



Product Code: SE-DCC-YDK-632



SEDIROGLU GROUP DELIVERS COMPLETE SOLUTIONS ACROSS VARIOUS INDUSTRIES, COMBINING DEEP TECHNICAL EXPERTISE WITH A DIVERSE AND EXTENSIVE PRODUCT RANGE TO MEET A WIDE SPECTRUM OF CUSTOMER NEEDS.

FACING A DEVELOPMENT CHALLENGE? WE PROVIDE THE SOLUTION.
AT SEDIROGLU GROUP, OUR EXPERIENCED R&D TEAM IS COMMITTED TO CONTINUOUS IMPROVEMENT.
MANY INDUSTRY INNOVATIONS HAVE ORIGINATED FROM OUR COMPANY.
WE ARE DRIVEN BY A FORWARD-THINKING MINDSET AND A PIONEERING SPIRIT IN EVERY STEP WE TAKE.

CONTACT – WORLDWIDE

With 12 branches around the world and marketing teams in over 70 countries, we provide you with outstanding service worthy of a technology leader.

We look forward to hearing from you!

<https://sedirolugroup.com/contact>



AT YOUR SERVICE 24/7 – OUR VIRTUAL BOOTH

With impressive features like animated shots, clickable hotspots, and rotatable 3D models, we are confident our online presentations will truly impress you.

<https://sedirolugroup.com/spare-parts>



DISCOVER MORE ABOUT THIS PRODUCT

Scan the QR code to access detailed technical specifications, application insights, high-quality visuals, and interactive digital content related to this product.

<https://sedirolugroup.com/spare-parts/double-layer-destoner-section-spare-parts>



HEAD OFFICE:
SEDIROGLU GROUP
Turkey, Çorum
T +90 541 620 03 22
E Mail : info@sedirolgu.com

www.sedirolugroup.com

Sedirolgu
GROUP machine